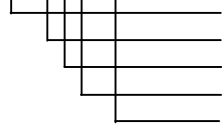


Digital Indicating Controller

Model: **BCS2, BCR2, BCD2**

■ **Model**

(e.g.) BCS2 R 0 0-1 3



Size: 48 x 48 x 68 mm (W x H x D) (Depth of control panel interior 60)
 Control output: Relay contact
 Power supply: 100 to 240 V AC
 Input: Multi-range
 Option 1: Event output EV2
 Option 2: Event input (2 points) + Heater burnout alarm (20A)

Size	Control Output	Power Supply	Input (*1)	Option 1 (*2)	Option 2 (*2)	Specification
BCS2						48 x 48 x 68 mm (W x H x D) (Depth of control panel interior 60)
BCR2						48 x 96 x 68 mm (W x H x D) (Depth of control panel interior 60)
BCD2						96 x 96 x 68 mm (W x H x D) (Depth of control panel interior 60)
	R					Relay contact: 1a
	S					Non-contact voltage (for SSR drive): 12 V DC 15%
	A					Direct current: 4 to 20 mA DC
		0				100 to 240 V AC (Standard)
		1				24 V AC/DC
			0-			Multi-range (*1)
				0		No option needed
				1		Event output EV2 (*3)
				2		Heating/Cooling control output OUT2, Non-contact voltage
				3		Heating/Cooling control output OUT2, Direct current
				4		Insulated power output
					0	No option needed
					1	Event input (2 points) + Serial communication + Heater burnout alarm (20A) (*4) (*5)
					2	Event input (2 points) + Serial communication + Heater burnout alarm (100A) (*4) (*5)
					3	Event input (2 points) + Heater burnout alarm (20A) (*5)
					4	Event input (2 points) + Heater burnout alarm (100A) (*5)
					5	Event input (2 points) + External setting input + Transmission output (*6)
					6	Serial communication
					7	Heater burnout alarm (20 A) (*5)
					8	Heater burnout alarm (100 A) (*5)
					9	Event input (2 points)

(*1) Thermocouple, RTD, Direct current and DC voltage can be selected by keypad.

(*2) Only one option can be selected from Option 1 and Option 2 respectively.

(*3) Event output EV1 is standard.

The following outputs can be selected in [Event output EV1/EV2 allocation] by keypad:

Alarm output (12 alarm types and No alarm action), Heater burnout alarm output, Loop break alarm output, Time signal output,

Output during AT, Pattern end output, Output by communication command, Heating/Cooling control output OUT2 (for EV2 option only)

For Event output EV1/EV2, Heater burnout alarm output and Output by communication command are available

when C5W, EIW, C5 or W option is ordered.

(*4) For the BCS2, 2 points of Event input are not available.

(*5) For Direct current output type, Heater burnout alarm is disabled. The CT is sold separately.

(*6) For the BCS2, 1 point of Event input is available.

■ **Accessories Sold Separately**

Model
Terminal cover
CT for 20A (CTL-6-S-H) (*)
CT for 100A (CTL-12-S36-10L1U) (*)
Console communication cable CMD-001
USB cable (Between CMD-001 and Personal computer)

(*) Used for Heater burnout alarm (C5W, EIW, W options)

Rating

Rated Scale

Input (TC)	Scale Range		Resolution	Input (RTD)	Scale Range		Resolution
K	-200 to 1370 °C	-328 to 2498 °F	1 °C(°F)	Pt100	-200.0 to 850.0 °C	-328.0 to 1562.0 °F	0.1 °C(°F)
	-200.0 to 400.0 °C	-328.0 to 752.0 °F	0.1 °C(°F)		-200 to 850 °C	-328 to 1562 °F	1 °C(°F)
J	-200 to 1000 °C	-328 to 1832 °F	1 °C(°F)	JPt100	-200.0 to 500.0 °C	-328.0 to 932.0 °F	0.1 °C(°F)
R	0 to 1760 °C	32 to 3200 °F	1 °C(°F)		-200 to 500 °C	-328 to 932 °F	1 °C(°F)
S	0 to 1760 °C	32 to 3200 °F	1 °C(°F)	Input (DC)	Scale Range		Resolution
B	0 to 1820 °C	32 to 3308 °F	1 °C(°F)	4 to 20 mA	-2000 to 10000 (*1)		1
E	-200 to 800 °C	-328 to 1472 °F	1 °C(°F)	0 to 20 mA			
T	-200.0 to 400.0 °C	-328.0 to 752.0 °F	0.1 °C(°F)	0 to 1 V			
N	-200 to 1300 °C	-328 to 2372 °F	1 °C(°F)	0 to 5 V			
PL-II	0 to 1390 °C	32 to 2534 °F	1 °C(°F)	1 to 5 V			
C(W/Re5-26)	0 to 2315 °C	32 to 4199 °F	1 °C(°F)	0 to 10 V			

(*1) Decimal point place change and scaling are possible.

Input

Thermocouple (TC)	K, J, R, S, B, E, T, N, PL-II, C (W/Re5-26) External resistance, 100 Ω or less (However, B input: External resistance, 40 Ω or less)
RTD	Pt100, JPt100, 3-wire system Allowable input lead wire resistance: 10 Ω or less per wire
Direct current (mA DC)	0 to 20 mA, 4 to 20 mA DC Input impedance: 50 Ω or less Allowable input current: 50 mA or less
DC voltage (V DC)	0 to 1 V DC Input impedance: 1 MΩ or more Allowable input voltage: 5 V DC or less Allowable signal source resistance: 2 kΩ or less 0 to 5 V, 1 to 5 V, 0 to 10 V DC Input impedance: 100 kΩ or more Allowable input voltage: 15 V DC or less Allowable signal source resistance: 100 Ω or less

Indicating Performance

Base accuracy	At ambient temperature 23°C (for a single unit mounting)
Thermocouple	Within ±0.2% of each input span ±1 digit, However R, S inputs, 0 to 200°C (32 to 392 °F): Within ±6°C (12°F) B input, 0 to 300°C (0 to 572°F): Accuracy is not guaranteed. K, J, E, T, N inputs, less than 0°C (32°F): Within ±0.4% of input span ±1 digit
RTD	Within ±0.1% of each input span ±1 digit
Direct current	Within ±0.2% of each input span ±1 digit
DC voltage	Within ±0.2% of each input span ±1 digit
Effect of ambient temperature	Within 50 ppm/°C of each input span
Input sampling period	125 ms
Time accuracy	Within ±1.0% of the setting time

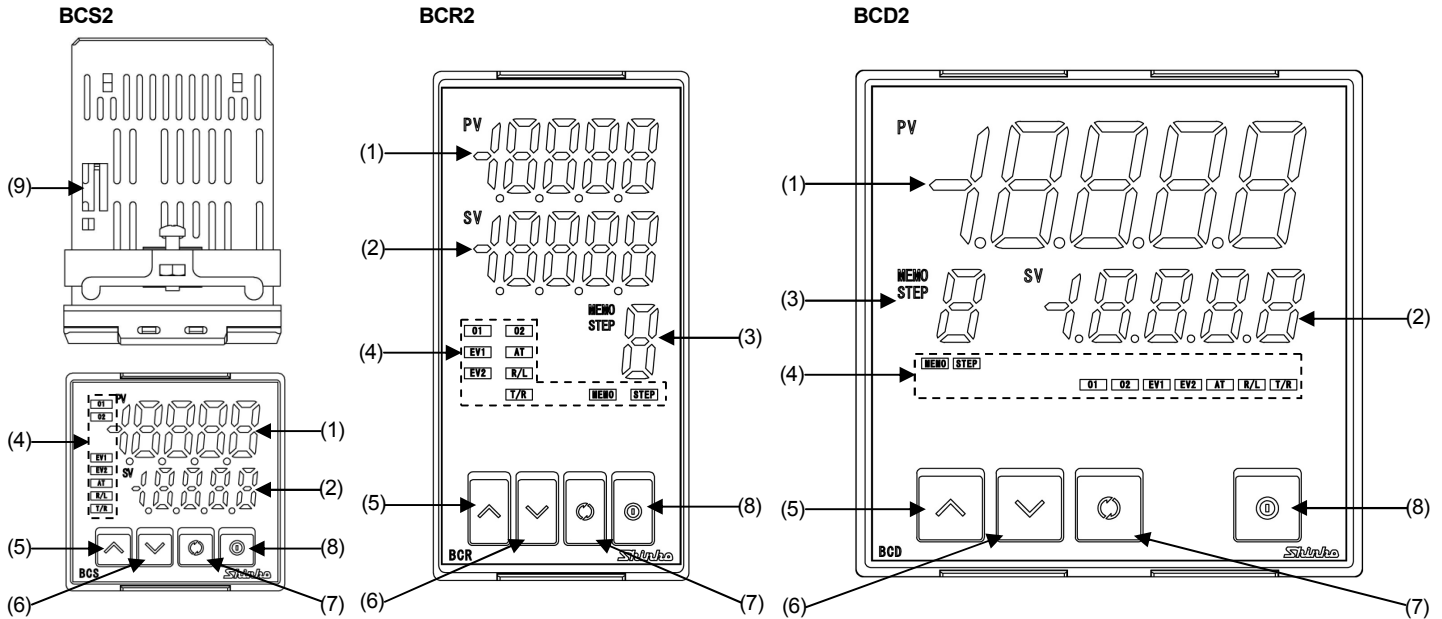
■ **Control Performance**

Control action	<ul style="list-style-type: none"> • PID control (with auto-tuning function) • PI control <ul style="list-style-type: none"> When derivative time is set to 0 • PD control (with Auto/Manual reset function) <ul style="list-style-type: none"> When integral time is set to 0 • P control (with Auto/Manual reset function) <ul style="list-style-type: none"> When derivative time and integral time are set to 0. • ON/OFF control <ul style="list-style-type: none"> When proportional band is set to 0 (or 0.0)
OUT1 proportional band	<p>Thermocouple, RTD inputs without decimal point: 0 to Input span [Factory default: 10°C (20°F)]</p> <p>Thermocouple, RTD inputs with decimal point: 0.0 to Input span (Factory default: 2.5%)</p> <p>Direct current, DC voltage inputs: 0.0 to 1000.0%</p>
Integral time	0 to 3600 sec (Factory default: 200 sec)
Derivative time	0 to 1800 sec (Factory default: 50 sec)
OUT1 proportional cycle	0.5, or 1 to 120 sec (Factory default: Relay contact: 30 sec, Non-contact voltage: 3 sec, Direct current: Not available)
ARW	0 to 100% (Factory default: 50%)
Manual reset	± Proportional band converted value (Factory default: 0.0)
OUT1 ON/OFF hysteresis	<p>Thermocouple, RTD inputs: 0.1 to 1000.0°C (°F) (Factory default: 1.0°C)</p> <p>Direct current, DC voltage inputs: 1 to 10000 (The placement of the decimal point follows the selection)</p>
OUT1 high limit, OUT1 low limit	0 to 100% (Direct current: -5 to 105%) (Factory default: OUT1 low limit: 0%, OUT1 high limit: 100%)
Control output	<p>Relay contact: 1a</p> <p>Control capacity: 3 A 250 V AC (resistive load) 1 A 250 V AC (inductive load $\cos\phi=0.4$),</p> <p>Electrical life: 100,000 cycles</p> <p>Minimum applicable load: 10 mA 5 V DC</p> <p>Non-contact voltage: 12 V DC ± 15%</p> <p>(for SSR drive) Max. 40 mA (short circuit protected)</p> <p>Direct current: 4 to 20 mA DC (Resolution: 12000)</p> <p>Load resistance: Maximum 550 Ω</p>

■ General Structure

Case material, Color	Flame-resistant resin, Black
Panel	Membrane sheet
Dust-proof/Drip-proof	Front panel: IP66, Rear case: IP20, Terminal section: IP00
Standards	EN EN61010-1 (Pollution degree 2, Overvoltage category II)

Indication Structure



Display

(1)	PV Display	Indicates the PV (process variable) or setting characters in setting mode.
(2)	SV Display	Indicates the SV (desired value) or set data in setting mode. In Monitor mode, indicates MV (manipulated variable), remaining step time (Program control), step number (Program control) (*), or Set value memory number (Fixed value control) (*). (*) For BCS2 only
(3)	MEMO/STEP Display	Indicates Set value memory number or Step number (Program control). (BCR2, BCD2)

Action Indicator

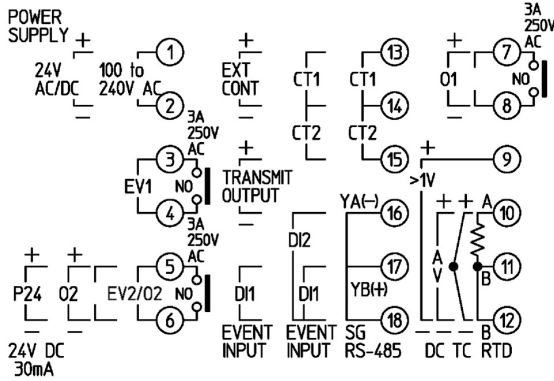
(4)	O1	Lit when control output OUT1 is ON. For direct current output type, flashes corresponding to the MV in 125 ms cycles.
	O2	Lit when control output OUT2 (EV2, DS, DA option) is ON. For direct current output type, flashes corresponding to the MV (manipulated variable) in 125 ms cycles.
	EV1	Lit when Event output 1 is ON.
	EV2	Lit when Event output 2 (EV2 option) is ON.
	AT	Flashes while AT or Auto-reset is performing.
	R/L	Lit while in Remote action (EIT option).
	T/R	Lit during Serial communication (C5W option) TX (transmitting) output.
	MEMO	Lit when Set value memory number is indicated. (BCR2, BCD2)
	STEP	Lit when Step number (Program control) is indicated. (BCR2, BCD2)

Keys, Connector

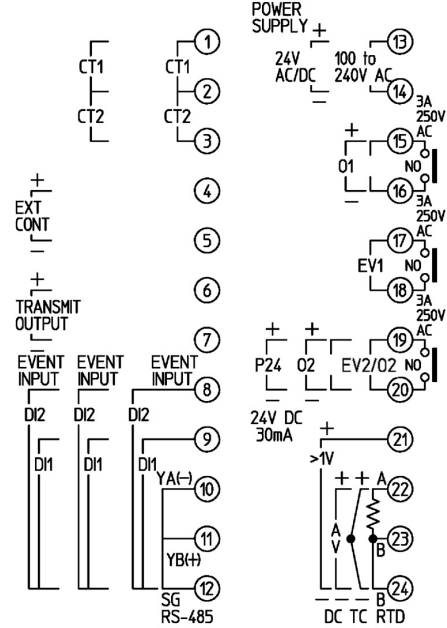
(5)	UP key	Increases the numeric value. If this key is pressed for 1 sec during program operation, the unit proceeds to the next step. (Advance function.)
(6)	DOWN key	Decreases the numeric value.
(7)	MODE key	Selects the setting mode, and registers the set data. If the MODE key is pressed in RUN mode for 3 sec, the unit moves to Monitor mode.
(8)	OUT/OFF key	OUT/OFF function: Turns control output ON or OFF. Auto/Manual control: Switches the Auto/Manual control. Program control: Starts or stops the Program control.
(9)	Console connector	By connecting the tool cable (CMD-001, sold separately), the following operations can be conducted from an external computer using the Console software SWC-BCx01M. • Reading and setting of SV, PID and various set values • Reading of PV and action status • Function change. (Console connector is located on the top of the BCS2, BCR2, and BCD2 case.)

Terminal Arrangement

BCS2



BCR2, BCD2



POWER SUPPLY	100 to 240 V AC or 24 V AC/DC (For 24 V DC, ensure polarity is correct.)
EV1	Event output 1
EV2	Event output 2 (EV2 option)
O2	Control output OUT2 (EV2, DS, DA option)
P24	Insulated power output (P24 option)
O1	Control output OUT1
TC	Thermocouple input
RTD	RTD input
DC	Direct current, DC voltage inputs
CT1	CT input 1 (C5W, EIW, W option)
CT2	CT input 2 (C5W, EIW, W option)
RS-485	Serial communication RS-485 (C5W option)
EVENT INPUT	Event input DI1 (BCS2: EIW, EIT, EI options, BCR2/BCD2: C5W, EIW, EIT, EI options) Event input DI2 (BCS2: EIW, EI options, BCR2/BCD2: C5W, EIW, EIT, EI options)
EXT CONT	External setting input (EIT option)
TRANSMIT OUTPUT	Transmission output (EIT option)

Standard Functions

EV1 Output

Output	Relay contact: 1a Control capacity: 3 A 250 V AC (resistive load) 1 A 250 V AC (inductive load $\cos\phi=0.4$) Electrical life: 100,000 cycles Minimum applicable load: 10 mA 5 V DC
--------	---

Alarm Action

Alarm type	High limit alarm, Low limit alarm, High/Low limits alarm, High/Low limits independent, High/Low limit range, High/Low limit range independent, Process high alarm, Process low alarm, High limit alarm with standby, Low limit alarm with standby, High/Low limits with standby, High/Low limits with standby independent. Energized/De-energized action are applied to the above alarms, totaling 24 alarm types. No alarm action can also be selected.
Action	ON/OFF action
Hysteresis	Thermocouple, RTD inputs: 0.1 to 1000.0°C (°F) (Factory default: 1.0°C) Direct current, DC voltage inputs: 1 to 10000 (The placement of the decimal point follows the selection)
Output	EV1, EV2 outputs for which Alarm output (000 to 012) is selected in [Event output EV1/EV2 allocation].

Loop Break Alarm

Setting range	Loop break alarm time: 0 to 200 minutes Loop break alarm span: TC, RTD inputs: 0 to 150°C (°F), 0.0 to 150.0°C (°F) Direct current, DC voltage inputs: 0 to 1500 (The placement of the decimal point follows the selection)
Output	EV1, EV2 outputs for which Loop break alarm (014) is selected in [Event output EV1/EV2 allocation].

Simplified Program Control

Number of patterns	1
Number of steps	9
Number of repetitions	0 to 10000 times
Program time range	0 to 99 hours:59 min. /step, or 0 to 99 min.:59 sec./step
Setting range	Scaling low limit value to Scaling high limit value (Factory default: 0°C)
Time accuracy	Within $\pm 1.0\%$ of the setting time
Wait value	0 to Converted value of 20% of input span (Scaling span for Direct current, DC voltage inputs)

Simplified Controller Function

Input signals can be converted to insulated 4 to 20 mA DC output (for Direct current output type).
--

■ Optional Functions

Event Input (Option code: EIW, EIT, EI)

If Set value memory function is selected in [Event input DI1/DI2 allocation], SV1 to SV4 can be switched.	
Event input	2 points [For the BCS2, if the C5W option is ordered, Event input (2 points) is not available. If the EIT option is ordered, 1-point Event input is available.]
Circuit current when closed	Approx. 16 mA

EV2 Output (Option code: EV2)

Same as standard EV1 output

Heater Burnout Alarm (Option code: C5W, EIW, W)

For direct current output type, Heater burnout alarm is disabled.	
Rated current	20A, 100A (Must be specified) Single-phase: Detects burnout with CT1 input 3-phase: Detects burnout with CT1 and CT2 inputs
Setting range	20A: 0.0 to 20.0 A (Off when set to 0.0) 100A: 0.0 to 100.0 A (Off when set to 0.0)
Setting accuracy	$\pm 5\%$ of rated current
Action point	Set value
Action	ON/OFF action
Output	EV1, EV2 outputs for which Heater burnout alarm (013) is selected in [Event output EV1/EV2 allocation].

Heating/Cooling Control Output (Option code: DS, DA, EV2)

OUT2 proportional band	0.0 to 10.0 times OUT1 proportional band (ON/OFF control when set to 0.0)
Integral time (I)	Same as that of OUT1
Derivative time (D)	Same as that of OUT1
OUT2 proportional cycle	0.5 sec, or 1 to 120 sec [Factory default: DS option: 3 sec, EV2 option (When '019' is selected in [Event output EV2 allocation]): 30 sec, Direct current (DA option): Not available]
Overlap/Dead band setting range	Thermocouple, RTD inputs: -200.0 to 200.0°C (°F), Direct current, DC voltage inputs: -2000 to 2000 (The placement of the decimal point follows the selection)
OUT2 ON/OFF hysteresis	Thermocouple, RTD inputs: 0.1 to 1000.0°C (°F) (Factory default: 1.0°C) Direct current, DC voltage inputs: 1 to 10000 (The placement of the decimal point follows the selection)
OUT2 high limit, OUT2 low limit	0 to 100% (Direct current output: -5 to 105%) (Not available for ON/OFF control) (Factory default: OUT2 low limit: 0%, OUT2 high limit: 100%)
OUT2 cooling method	(1) Air cooling (linear characteristics) (Factory default: Air cooling) (2) Oil cooling (1.5th power of the linear characteristics) (3) Water cooling (2nd power of the linear characteristics)
Output	Relay contact 1a EV2 option: When '019' is selected in [Event output EV2 allocation] Control capacity: 3 A 250 V AC (resistive load) 1 A 250 V AC (inductive load $\cos\phi=0.4$) Electrical life: 100,000 cycles Non-contact voltage (for SSR drive) DS option 12 V DC $\pm 15\%$ Max. 40 mA (short circuit protected) Direct current DA option 4 to 20 mA DC (Resolution: 12000) Load resistance: Max. 550 Ω

Serial Communication (Option code: C5W, C5)

Communication line	EIA RS-485																						
Communication method	Half-duplex communication																						
Synchronization method	Start-stop synchronization																						
Communication speed	9600, 19200, 38400 bps Selectable by keypad (Factory default: 9600 bps)																						
Data bit/Parity	Data bit: 7, 8 Parity: Even, Odd and No parity (Selectable by keypad) (Factory default: 7 bits/Even) Stop bit: 1 bit, 2 bits (Selectable by keypad) (Factory default: 1 bit)																						
Data format	<table border="1"> <thead> <tr> <th>Communication protocol</th> <th>Shinko protocol</th> <th>Modbus ASCII</th> <th>Modbus RTU</th> </tr> </thead> <tbody> <tr> <td>Start bit</td> <td>1</td> <td>1</td> <td>1</td> </tr> <tr> <td>Data bit</td> <td>7</td> <td>7 or 8</td> <td>8</td> </tr> <tr> <td>Parity</td> <td>Yes (Even)</td> <td>Yes (Even, Odd) No parity</td> <td>Yes (Even, Odd) No parity</td> </tr> <tr> <td>Stop bit</td> <td>1</td> <td>1 or 2</td> <td>1 or 2</td> </tr> </tbody> </table>			Communication protocol	Shinko protocol	Modbus ASCII	Modbus RTU	Start bit	1	1	1	Data bit	7	7 or 8	8	Parity	Yes (Even)	Yes (Even, Odd) No parity	Yes (Even, Odd) No parity	Stop bit	1	1 or 2	1 or 2
Communication protocol	Shinko protocol	Modbus ASCII	Modbus RTU																				
Start bit	1	1	1																				
Data bit	7	7 or 8	8																				
Parity	Yes (Even)	Yes (Even, Odd) No parity	Yes (Even, Odd) No parity																				
Stop bit	1	1 or 2	1 or 2																				
Response delay time	0 to 1000 ms (Factory default: 10 ms) Response from the controller can be delayed after receiving command from the host computer.																						

External Setting Input (Option code: EIT)

Setting signal	Direct current: 4 to 20 mA
Allowable input	50 mA DC or less
Input impedance	50 Ω or less
Input sampling period	125 ms

Transmission Output (Option code: EIT)

Converting the value (PV, SV, MV, DV) to analog signal every 125 ms, the value is outputted in current. Factory default: PV transmission	
Resolution	12000
Output	4 to 20 mA DC (Load resistance, Max. 550 Ω)
Output accuracy	Within ±0.3% of full scale

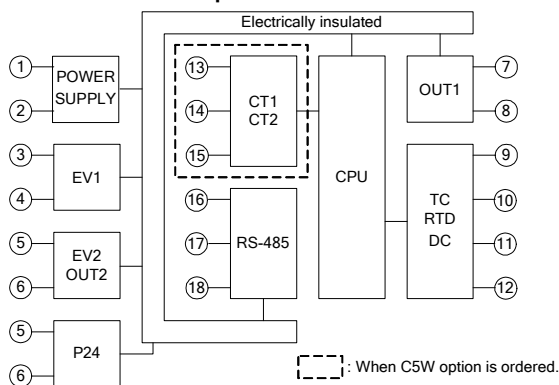
Insulated Power Output (Option code: P24)

Output voltage	24 V ±3 V DC (when load current is 30 mA)
Ripple voltage	Within 200 mV (when load current is 30 mA)
Max. load current	30 mA DC

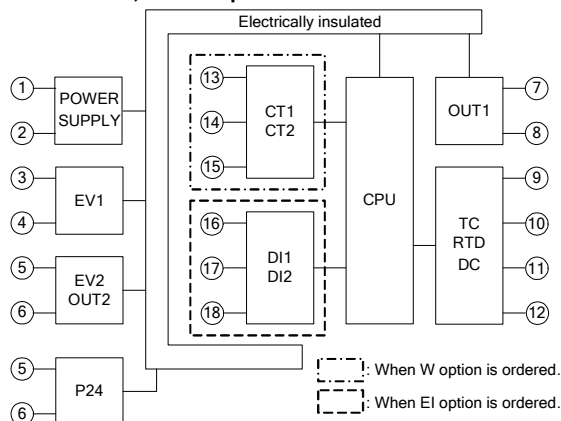
**■ Insulation, Dielectric Strength
Circuit Insulation Configuration**

BCS2

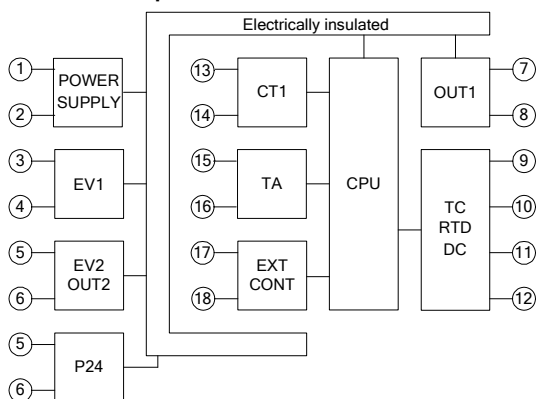
When the C5W or C5 option is ordered



When the EIW, EI or W option is ordered



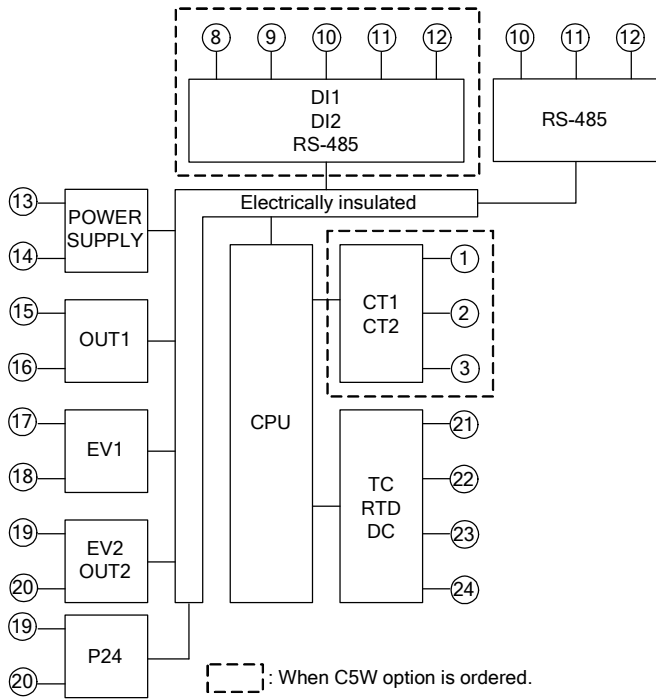
When the EIT option is ordered



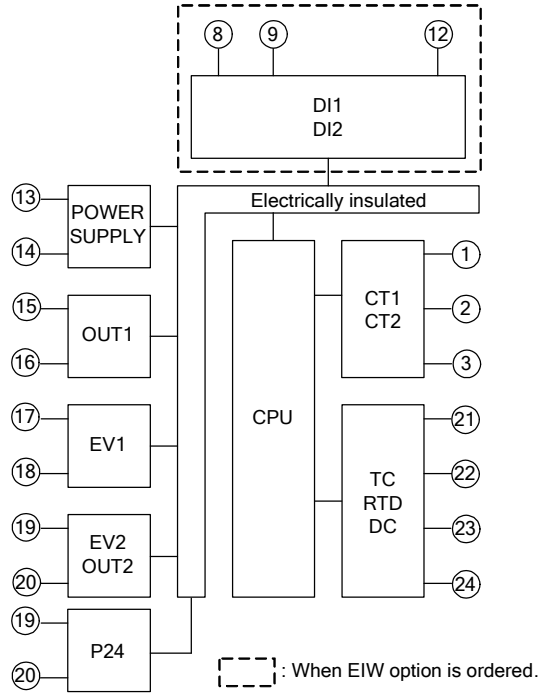
If OUT1 is a non-contact voltage output or direct current output, and if OUT2 is a non-contact voltage output or direct current output, OUT1 is not electrically insulated from OUT2.

BCR2, BCD2

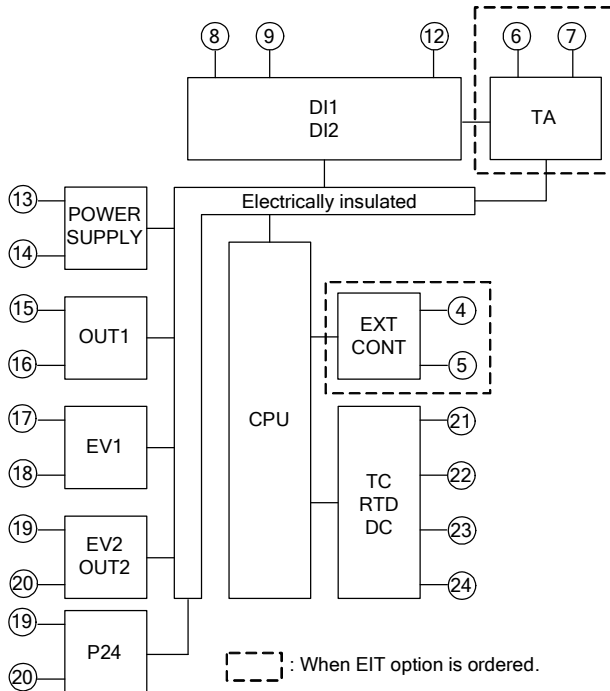
When the C5W or C5 option is ordered



When the EIW or W option is ordered



When the EIT or EI option is ordered



If OUT1 is a non-contact voltage output or direct current output, and if OUT2 is a non-contact voltage output or direct current output, OUT1 is not electrically insulated from OUT2.

Insulation resistance	10 MΩ or more, at 500 V DC
Dielectric strength	Between input terminal and power terminal: 1.5 kV AC for 1 minute Between output terminal and power terminal: 1.5 kV AC for 1 minute Between output terminal (P24) and power terminal: 500 V AC for 1 minute

■ Attached Functions

Sensor correction value, Sensor correction, Set value lock, Auto/Manual control, Auto/Manual after restoration, SV ramp, SV Rise rate/Fall rate, Program control, Step time unit, Program start temperature, Program control start type, Power restore action, Pattern end output, Power failure countermeasure, Self-diagnosis, Automatic cold junction temperature compensation, Indication range/Control range, Input error (Overscale, Underscale), Burnout, Warm-up indication, Console communication

■ Error Code

Error Code	Error Contents	Occurance Status
E_01 (*1)	Non-volatile IC memory (EEPROM) is defective.	When power is turned ON
E_02 (*1)	Data writing error when power failure occurs	When power is turned ON
E_05	When input value exceeds input range high limit value (Scaling high limit value for DC input)	During usual operation
E_06	When input value drops below input range low limit value (Scaling low limit value for DC input)	During usual operation
E_07	Input burnout, or input value is outside the control and indication ranges.	During usual operation
E_10	Hardware malfunction, or in error status. Errors cannot be solved.	During usual operation
E_20 (*1)	Indicated after 4 hours have passed since AT is performed.	After AT is performed

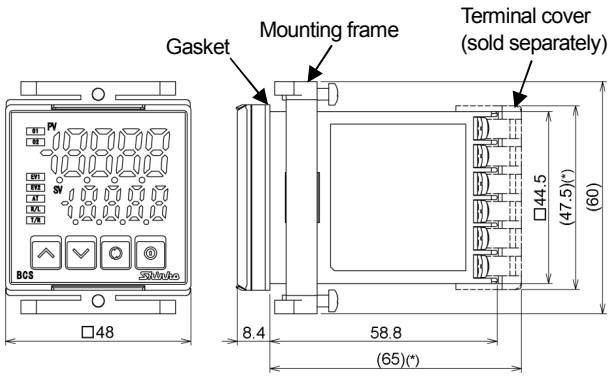
(*1) can be cancelled with the MODE key.

■ Other

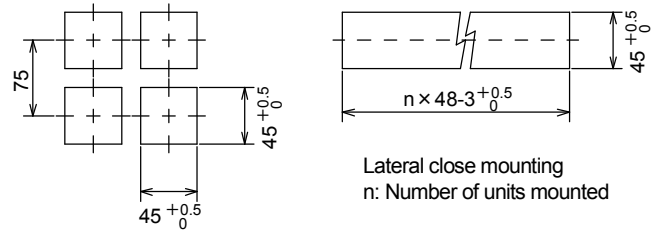
Power supply voltage (Must be specified when ordering)	100 to 240 V AC, 50/60 Hz, Allowable fluctuation range 85 to 264 V AC 24 V AC/DC, 50/60 Hz, Allowable fluctuation range 20 to 28 V AC/DC	
Power consumption	100 to 240 V AC	Approx. 8 VA max. (When the maximum number of options are added: Approx. 11 VA max.)
	24 V AC	Approx. 5 VA max. (When the maximum number of options are added: Approx. 8 VA max.)
	24 V DC	Approx. 5 W max. (When the maximum number of options are added: Approx. 8 W max.)
Rush current	100 to 240 V AC	Max. 14 to 34 A
	24 V AC	Max. 34 A
	24 V DC	Max. 34 A
Ambient temperature	-10 to 55°C (Non-condensing, No icing)	
Ambient humidity	35 to 85%RH (Non-condensing)	
Weight	BCS2: Approx. 110 g, BCR2: Approx. 160 g, BCD2: Approx. 220 g	
Accessories included	Mounting frame 1 piece (BCS2), Screw type mounting bracket 1 set (BCR2, BCD2), Instruction manual (excerpt) 1 copy	
Accessories sold separately	Terminal cover, CT(CTL-6S) for Heater burnout alarm 20 A, CT(CTL-12-S36-10L1U) for Heater burnout alarm 100 A, Tool cable CMD-001	
Instruction manual	Please download the full Instruction Manual and Communication Instruction Manual from Shinko's website: http://www.shinko-technos.co.jp/e/	
Environmental specification	RoHS directive compliant	

■ Dimensions (Scale: mm)

BCS2

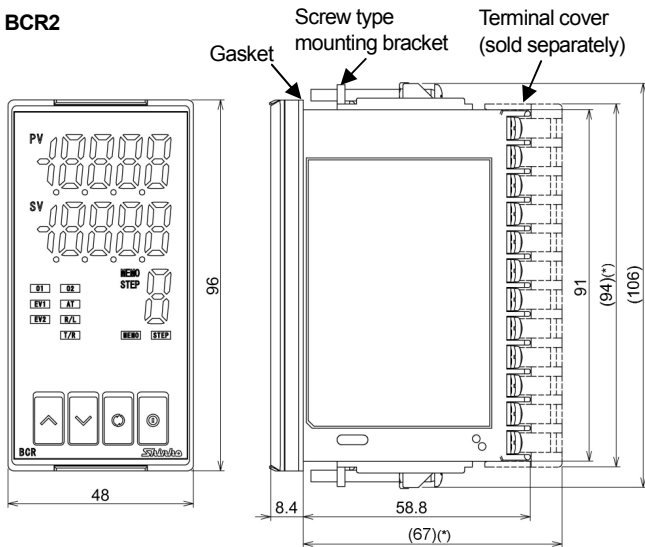


Panel cutout (Scale: mm)

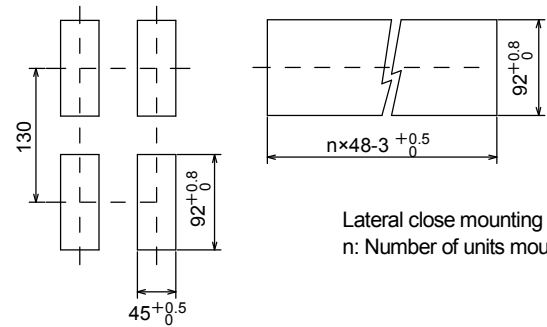


Lateral close mounting
n: Number of units mounted

BCR2

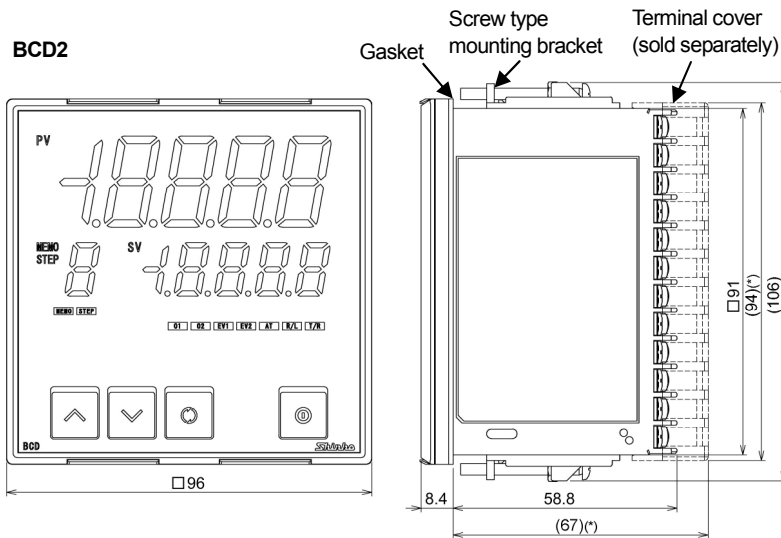


Panel Cutout (Scale: mm)

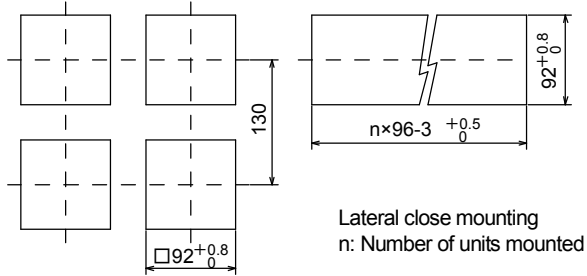


Lateral close mounting
n: Number of units mounted

BCD2



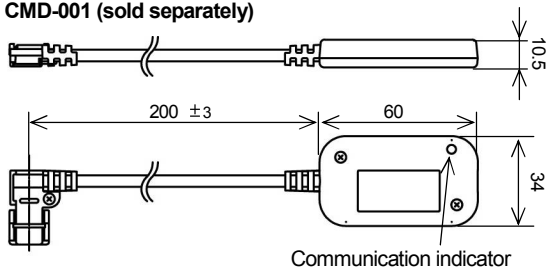
Panel cutout (Scale: mm)



Lateral close mounting
n: Number of units mounted

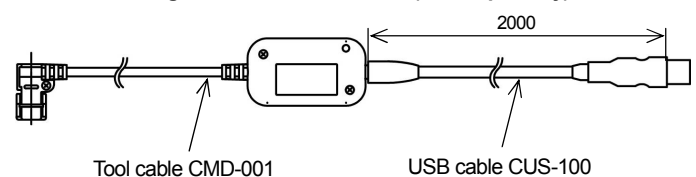
(*) When the terminal cover is used

CMD-001 (sold separately)



Communication indicator

When connecting the USB cable CUS-100 (sold separately)



Tool cable CMD-001

USB cable CUS-100

CUS-100: microUSB type B – USB Type A Full length 2 m
(Commercially available USB cable can be used.)