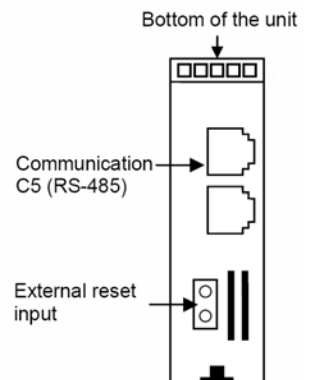
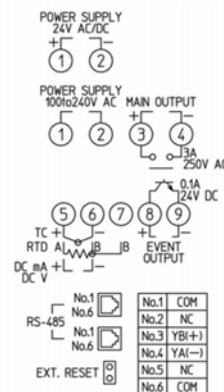


DIN RAIL MOUNT LIMIT CONTROLLER – DCL33ARMT6119

- Limit Control Function Specifications**
 1 Setpoint, high-low-limit control type, and latching limit action
- Structure**
 DIN rail mount
- Programmable Alarms**
 Units Feature standard single alarm output (24V open collector)
- True Multi-Input**
 Units feature true multi-input capabilities: 10 thermocouple types, 1 RTD type, 2 current inputs and 4 voltage inputs
- Large LED Display**
 All units feature dual display. PV red 4 digits, SV green 4 digits
- Modbus Protocol with RS485 (Option)**
 Units offer communications capabilities.
- Safety Approvals**
 UL, cUL and CE Safety Approvals
- Warranty**
 All units manufactured to strict ISO standards and offer full 3 year manufacturers warranty.
- Low Cost**
 Most advanced price/ performance package available



Terminal arrangement



1. Model

1.1 Model

DCL-33	A-R/M	T6119	□ □ □	W22.5 x H75 x D100mm
Alarm	A			Alarm output (Alarm type can be selected by keypad) *1
Control output	R			Limit control output (Relay contact, 1a)
Input	M			Multi-range *2
Control action		T6119		High limit, Low limit control action
Supply voltage			1	100 to 240V AC (standard) 24V AC/DC *3
Options			C5	Serial communication (RS-485)
			DI	External reset input

- MAIN OUTPUT: Limit control output
 - EVENT OUTPUT: Alarm output
 - RS-485: Serial communication (C5 option)
 - TC: Thermocouple input
 - RTD: RTD input
 - DC: DC current, DC voltage input
- For DC current input, 50Ω shunt Resistor must be connected between Input terminals.**
- EXT.RESET: External reset input (DI option)

*1: Alarm actions (9 types and No alarm action) and Energized/Deenergized can be selected by keypad.
 *2: Thermocouple, RTD, DC current, and DC voltage can be selected by keypad.
 *3: Supply voltage 100 to 240V AC is standard. When ordering 24V AC/DC, enter "1" after the input code.