



Capacitance Level Switch



visit our website

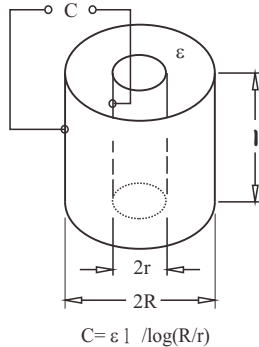
PRODUCT INTRODUCTION

■ OPERATING PRINCIPLE

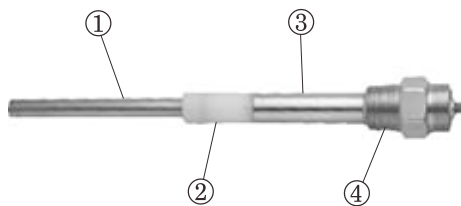
The Fine-tek Capacitance Switch for liquids and solids can be used in mediums such as liquids, pastes, syrups, powders, granules, flakes and chips. It's broad application and rugged build makes it a highly versatile across all industries.

Capacitance switches rely on electrical capacitance theory (the ability of a medium to store electrical energy). When an electrical circuit has two separated conductive plates, the space between the plates acts as a capacitor and stores the electrical energy. Mediums have differing conductivity and dielectric constants which affects their energy storage capability. When the switch comes into contact with the medium, it can detect a change in the surroundings and this actuates the switch accordingly.

Materials with high conductivity or high dielectric constants such as water tend to have high capacitance. The opposite applies for low conductive substances such as popcorn, wax or air. Thus the switch works well in mediums with reasonably high dielectric constants or conductive solutions.



■ CONSTRUCTION

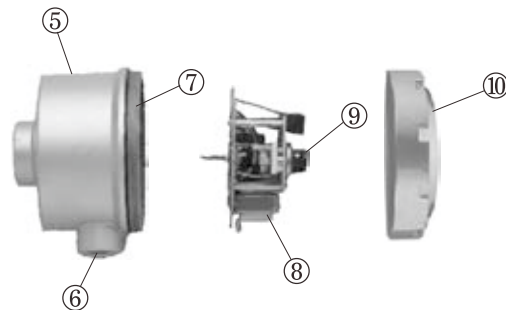


1. Probe : SUS304 or SUS316
2. Insulation : UPE or PTFE
3. Grounding Sleeve : SUS304 or SUS316
4. Connection : SUS304 or SUS316
1"PT (default) or 3/4"PT(option)

■ FEATURES AND APPLICATIONS

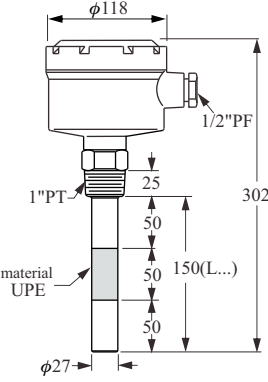
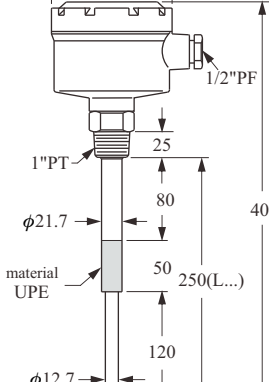
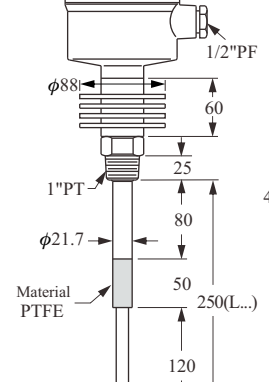
As Capacitance Level Switch has no moving parts inside the device, it will not be affected by friction. It is suitable for powder or liquid application easy to install. The customer can choose the types for his requirements.

1. **Standard Type (SA110 & SA111 A/B/C)**
Suitable for general use.
2. **Hi-Temp Type (SA120 & SA128 A/B/C)**
Suitable for high temperature environment.
3. **Anti-Corrosion Type (SA130 & SA132 A/B/C)**
Suitable for corrosive environment.
4. **Remote Probe Type (SA140 A/B/C)**
For use with vibrator equipped with tank.
5. **Wire-Probe Type (SA150 A/B/C)**
Suitable for silo or large-size tank.
6. **Plate-Probe Type (SA160 A/B/C)**
Suitable for granules and at lower position of tank side.
7. **Explosion-Proof Type (SA270 ~ SA279)**
Ex dia II C T4~T6, DIP A21 T_A, T3~T6
8. **Explosion-Proof Type (SA370 ~ SA378)**
Ex ia IIC T3~T6
Equipped with SA-75U signal conditioner can be used in hazardous areas.
9. **Anti-Static Type (SA180 & SA181 A/B/C)**
Suitable for electrostatic environment
(It won't be damaged by the electrostatic discharge)

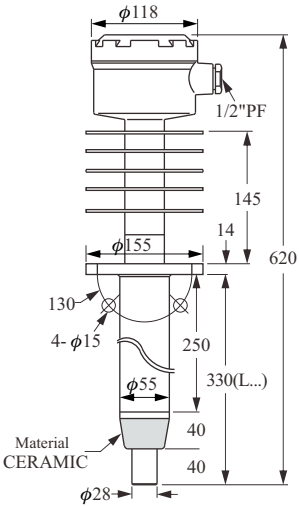
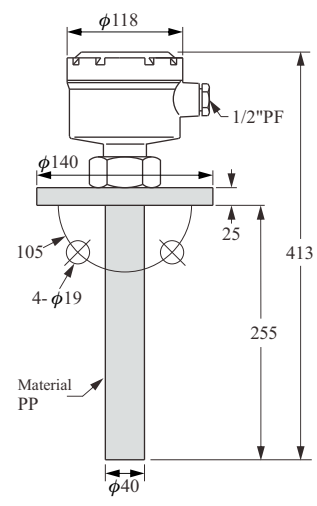
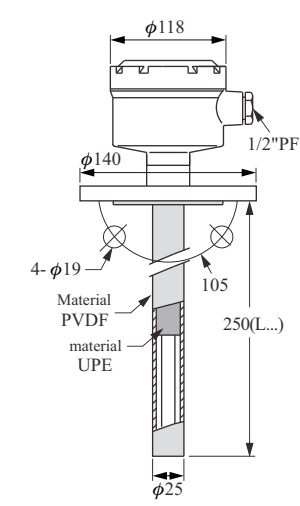


5. Housing : ADC-12 Aluminum IP65
6. Conduit opening : 1/2"PF or 3/4"PF
7. O-RING : NBR
8. PC board : A, B, C, D Type
9. Sensitivity adjustment : 10pf (std.), 20pf, 40pf
10. Cover : ADC-12 Aluminum

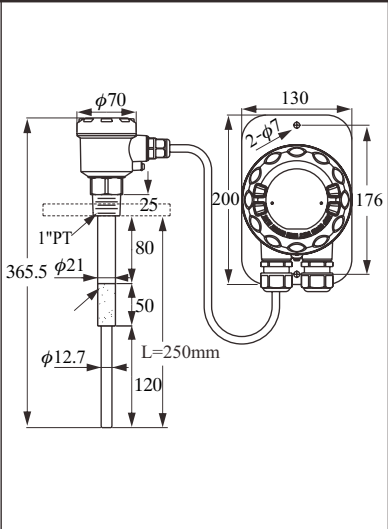
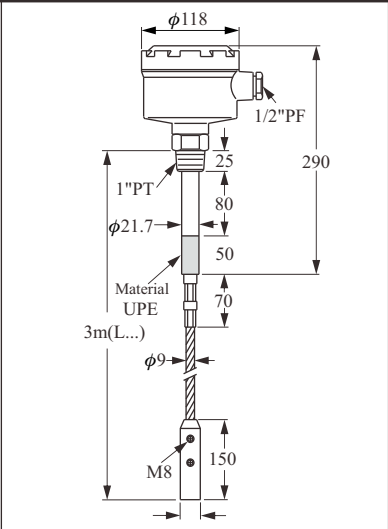
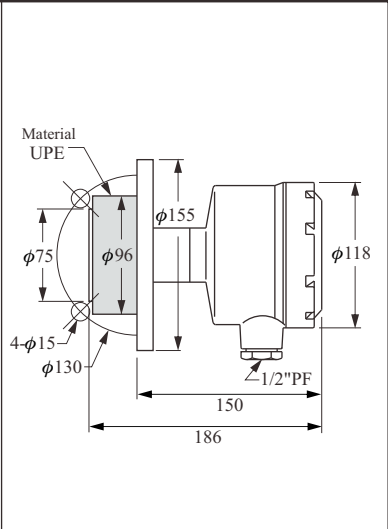
STANDARD MODEL

Dimensions			
Order No.	[STANDARD MODEL] SA110 A/B/C	[STANDARD MODEL] SA111 A/B/C	[HI-TEMP. MODEL] SA120 A/B/C
Ambient temp.	-20°C~60°C	-20°C~60°C	-20°C~60°C
Operating temp.	-20°C~80°C	-20°C~80°C	-20°C~200°C
Operation pressure	20kg/cm ²	20kg/cm ²	20kg/cm ²
Probe material	SUS 304/316	SUS 304/316	SUS 304/316
Insulated material	UPE	UPE	PEEK
Connection	1"PT Screw (SUS)	1"PT Screw (SUS)	1"PT Screw (SUS)
Sensitivity range	10pF (std.)	10pF (std.)	10pF (std.)
Weight	Approx. 1.9kg	Approx. 1.9kg	Approx. 2.4kg
Housing spec.	Aluminum IP65		
Supply voltage	110/220Vac ± 10% or 16~24Vdc		
Delay time	0~6 sec		
Power consumption	2W		
Output rating	Relay: 5A/250Vac/30Vdc, NPN 100mA		

STANDARD TYPE

Dimensions			
Order No.	[SUPER HI-TEMP. MODEL] SA128 A/B/C	[CORROSION-PROOF MODEL] SA130 A/B/C	[CORROSION-PROOF MODEL] SA132 A/B/C
Ambient temp.	-20°C~60°C	-20°C~60°C	-20°C~60°C
Operating temp.	-20°C~800°C	-20°C~80°C	-20°C~120°C
Operation pressure	ATM	20kg/cm ²	20kg/cm ²
Probe material	SUS 304/316	SUS 304 Coating PP	SUS304 Coating PVDF
Insulated material	CERAMIC	UPE	UPE
Connection	2-1/2"x5kg/cm ² Flange(SUS)	1-1/2"x10kg/cm ² Flange(PP)	1-1/2"x10kg/cm ² Flange(SUS) (5mm PVDF)
Sensitivity range	10pF (std.)	10pF (std.)	10pF (std.)
Weight	Approx. 6.5kg	Approx. 2kg	—————
Housing spec.	Aluminum IP65		
Supply voltage	110/220Vac±10% or 16~24Vdc		
Delay time	0~6 sec		
Power consumption	2W		
Output rating	Relay: 5A/250Vac/30Vdc,NPN 100mA		

STANDARD TYPE

Dimensions			
Order No.	[REMOTE PROBE MODEL] SA140 A/B/C	[WIRE-PROBE MODEL] SA150 A/B/C	[PLATE MODEL] SA160 A/B/C
Ambient temp.	-20°C~60°C	-20°C~60°C	-20°C~60°C
Operating temp.	-20°C~80°C	-20°C~80°C	-20°C~80°C
Operation pressure	20kg/cm ²	20kg/cm ²	20kg/cm ²
Probe material	SUS 304/316	SUS 304/316 cable	SUS 304/316
Insulated material	UPE	UPE	UPE
Connection	1"PT Screw (SUS)	1"PT Screw (SUS)	2-1/2"x 5kg/cm ² Flange (SUS)
Sensitivity range	10pF (std.)	10pF (std.)	10pF (std.)
Weight	Approx. 3kg	Approx. 4.1kg	Approx. 3.2kg
Housing spec.	Aluminum IP65		
Supply voltage	110/220Vac ± 10% or 24V ± 20%	110/220Vac ± 10% or 16~24Vdc	
Delay time	0~6 sec	0~6 sec	
Power consumption	2W		
Output rating	Relay: 5A/250Vac/30Vdc, NPN 100mA		

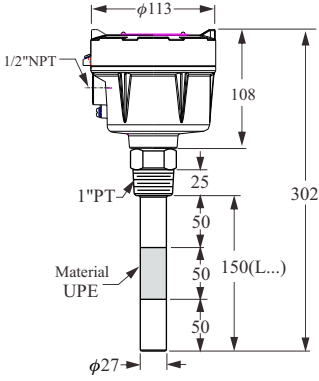
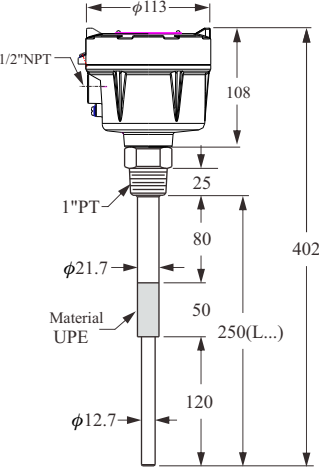
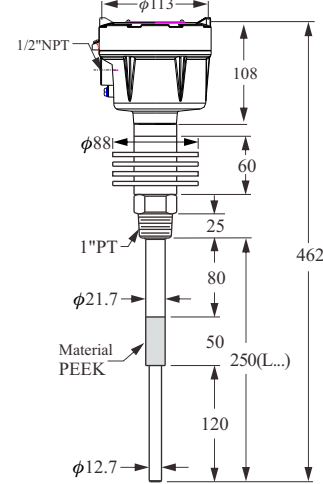
STANDARD MODEL

Dimensions		
Order No.	[ANTI-STATIC MODEL] SA180 A/B/C	[HI-TEMP. ANTI-STATIC MODEL] SA181 A/B/C
Ambient temp.	-20°C~60°C	-20°C~60°C
Operating temp.	-20°C~80°C	-20°C~200°C
Operation pressure	20kg/cm ²	20kg/cm ²
Probe material	UPE Coating	PTFE Coating
Insulated material	UPE	PTFE
Connection	1"PT Screw (SUS)	1"PT Screw (SUS)
Sensitivity range	10pF (std.)	10pF (std.)
Weight	Approx. 2kg	Approx. 2.5kg
Housing spec.	Aluminum IP65	
Supply voltage	110/220Vac ± 10% or 16~24Vdc	
Delay time	0~6 sec	
Power consumption	2W	
Output rating	Relay: 5A/250Vac/30Vdc, NPN 100mA	

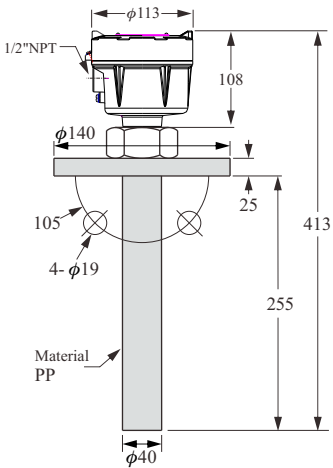
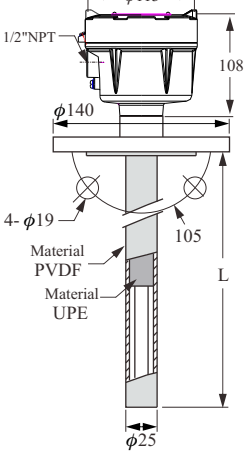
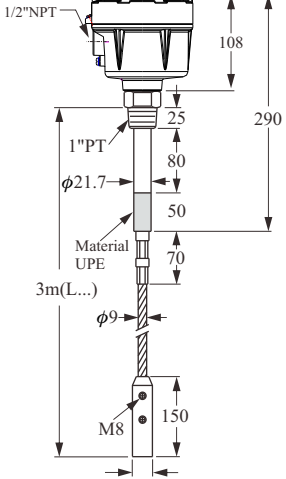
STANDARD MODEL

Dimensions		
Order No.	[MULTI-FUNCTION MODEL] SA190 R/N	[MULTI-FUNCTION MODEL] SA195 R/N
Ambient temp.	-20°C~60°C	-20°C~60°C
Operating temp.	-20°C~80°C	-20°C~80°C
Operation pressure	25kg/cm ²	25kg/cm ²
Probe material	PP (SA190 R/N) POM (SA190R-M/ SA190N-M)	SUS 304/316 cable
Insulated material	_____	_____
Connection	1"PT Screw	1"PT Screw
Sensitivity range	10pF (std.)	10pF (std.)
Weight	Approx. 0.8kg	Approx. 0.8kg
Housing spec.	Aluminum IP65	
Supply voltage	20~250Vac/dc, 50/60 Hz	
Delay time	0~6 sec	
Power consumption	2W	
Output rating	R: Relay SPDT,5A/250Vac/30Vdc N: MOSFET 400mA/ 60Vac/dc	

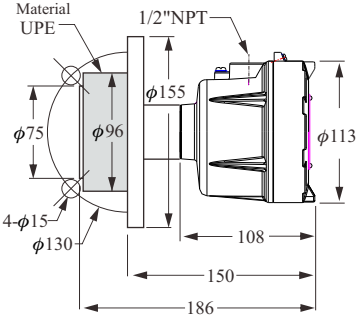
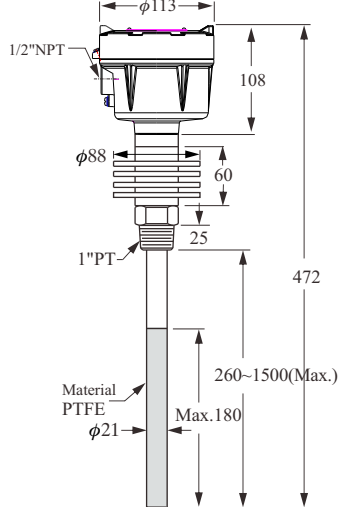
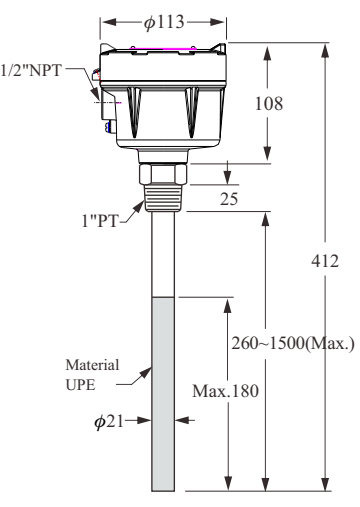
EXPLOSION PROOF MODEL

Dimensions			
Order No.	[STANDARD MODEL] SA270	[STANDARD MODEL] SA271	[STANDARD MODEL] SA272
Ambient temp.	-20°C~60°C	-20°C~60°C	-20°C~60°C
Operating temp.	-20°C~80°C	-20°C~80°C	-20°C~200°C
Operation pressure	20kg/cm ²	20kg/cm ²	20kg/cm ²
Probe material	SUS 304/316	SUS 304/316	SUS 304/316
Insulated material	UPE	UPE	PEEK
Connection	1"PT Screw (SUS)	1"PT Screw (SUS)	1"PT Screw (SUS)
Sensitivity range	10pF (std.)	10pF (std.)	10pF (std.)
Weight	Approx. 1.9kg	Approx. 2.4kg	Approx. 4.1kg
Housing spec.	Aluminum IP65		
Supply voltage	110/220Vac ± 10% or 16~24Vdc		
Enclosure protection	Ex dia II C T4~T6, DIP A21 T _A , T3~T6		
Power consumption	2W		
Output rating	Relay: 3A/250Vac/30Vdc, NPN 100mA		

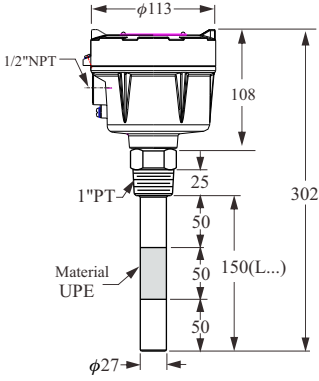
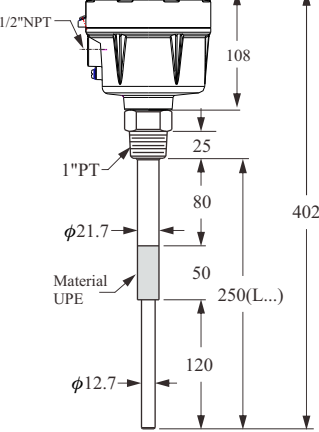
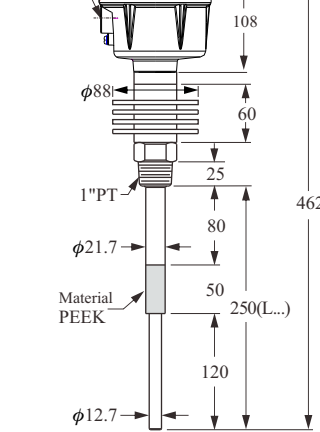
EXPLOSION PROOF MODEL

Dimensions			
Order No.	[CORROSION-PROOF MODEL] SA273	[CORROSION-PROOF MODEL] SA274	[WIRE-PROBE MODEL] SA275
Ambient temp.	-20°C~60°C	-20°C~60°C	-20°C~60°C
Operating temp.	-20°C~80°C	-20°C~120°C	-20°C~80°C
Operation pressure	ATM	20kg/cm ²	20kg/cm ²
Probe material	SUS 304/316(PP Coating)	SUS 304/316	SUS 304/316 Cable
Insulated material	UPE	UPE	PTFE
Connection	1-1/2"x10kg/cm ² (PP)	1-1/2"x10kg/cm ² (SUS) W / 5mm PVDF Cushion	1"PT Screw (SUS)
Sensitivity range	10pF (std.)	10pF (std.)	10pF (std.)
Weight	Approx. 1.9kg	—	Approx. 4.1kg
Housing spec.	Aluminum IP65		
Supply voltage	110/220Vac ± 10% or 16~24Vdc		
Enclosure protection	Ex dia II C T4~T6, DIP A21 T _A , T3~T6		
Power consumption	2W		
Output rating	Relay: 3A/250Vac/30Vdc, NPN 100mA		

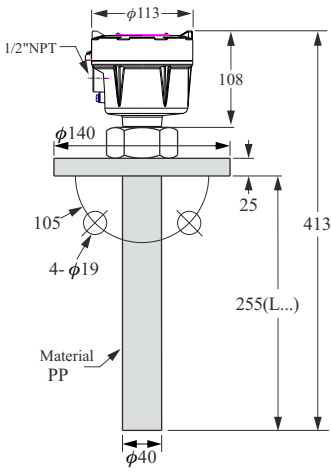
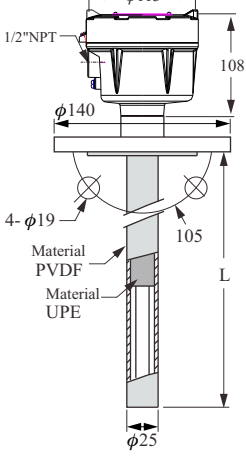
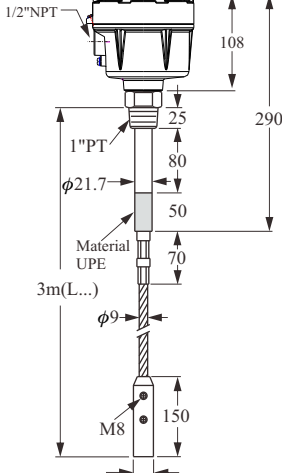
EXPLOSION PROOF MODEL

Dimensions			
Order No.	[PLATE MODEL] SA276	[HI-TEMP ANTI-STATIC MODEL] SA277	[ANTI-STATIC MODEL] SA278
Ambient temp.	-20°C~60°C	-20°C~60°C	-20°C~60°C
Operating temp.	-20°C~80°C	-20°C~200°C	-20°C~80°C
Operation pressure	20kg/cm ²	20kg/cm ²	20kg/cm ²
Probe material	SUS 304/316	PTFE Coating	UPE Coating
Insulated material	UPE	PTFE	UPE
Connection	2-1/2"x 5kg/cm ² Flange (SUS)	1"PT Screw (SUS)	1"PT Screw(SUS)
Sensitivity range	10pF (std.)	10pF (std.)	10pF(std.)
Weight	Approx. 3.2kg	Approx. 3.1kg	Approx. 2kg
Housing spec.	Aluminum IP65		
Supply voltage	110/220Vac ± 10% or 16~24Vdc		
Enclosure protection	Ex dia II C T4~T6, DIP A21 T _A , T3~T6		
Power consumption	2W		
Output rating	Relay: 3A/250Vac/30Vdc,NPN 100mA		

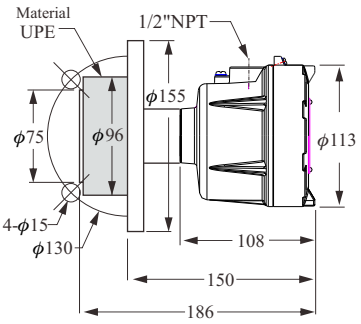
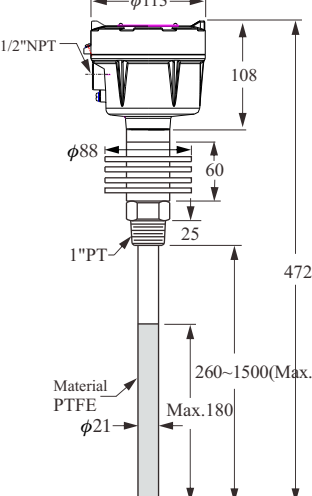
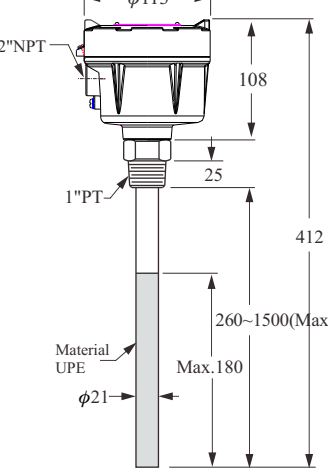
INTRINSICALLY SAFE MODEL

Dimensions			
Order No.	[STANDARD MODEL] SA370(WITH SA-75U)	[STANDARD MODEL] SA371(WITH SA-75U)	[HI-TEMP. MODEL] SA372(WITH SA-75U)
Ambient temp.	-20°C~60°C	-20°C~60°C	-20°C~60°C
Operating temp.	-20°C~80°C	-20°C~80°C	-20°C~200°C
Operation pressure	20kg/cm ²	20kg/cm ²	20kg/cm ²
Probe material	SUS 304/316	SUS 304/316	SUS 304/316
Insulated material	UPE	UPE	PEEK
Connection	1\"PT Screw (SUS)	1\"PT Screw (SUS)	1\"PT Screw (SUS)
Sensitivity range	10pF (std.)	10pF (std.)	10pF (std.)
Weight	Approx. 1.9kg	Approx. 2.4kg	Approx. 2.4kg
Housing spec.	Aluminum IP65		
Supply voltage	16~24Vdc		
Enclosure protection	Ex ia IIC T3~T6		
Power consumption	2W		
Output rating	NPN 100mA		

INTRINSICALLY SAFE MODEL

Dimensions			
Order No.	[CORROSION-PROOF MODEL] SA373(WITH SA-75U)	[CORROSION-PROOF MODEL] SA374(WITH SA-75U)	[WIRE-PROBE MODEL] SA375(WITH SA-75U)
Ambient temp.	-20°C~60°C	-20°C~60°C	-20°C~60°C
Operating temp.	-20°C~80°C	-20°C~120°C	-20°C~80°C
Operation pressure	20kg/cm ²	20kg/cm ²	20kg/cm ²
Probe material	SUS 304/316(PP Coating)	SUS 304/316	SUS 304/316 Cable
Insulated material	PTFE or UPE	UPE	UPE
Connection	1-1/2"x10kg/cm ² (PP)	1-1/2"x10kg/cm ² (SUS) W / 5 mm PVDF Cushion	1"PT Screw (SUS)
Sensitivity range	10pF (std.)	10pF (std.)	10pF (std.)
Weight	Approx. 1.9kg	—	Approx. 4.1kg
Housing spec.	Aluminum IP65		
Supply voltage	16~24Vdc		
Delay time	Ex ia IIC T3~T6		
Power consumption	2W		
Output rating	NPN 100mA		

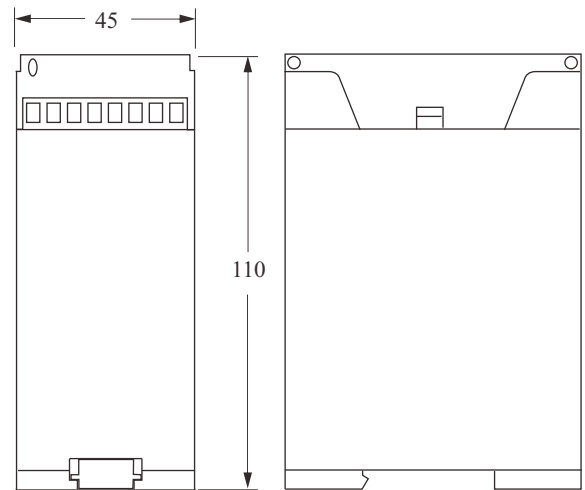
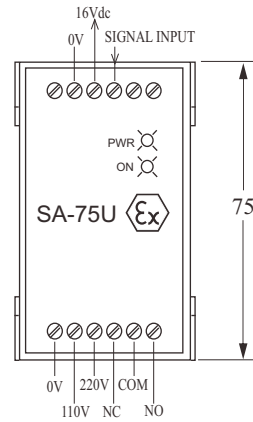
INTRINSICALLY SAFE MODEL

Dimensions	 <p>Material UPE 1/2"NPT φ75 φ96 φ155 4-φ15 φ130 108 150 186</p>	 <p>φ113 1/2"NPT 108 φ88 60 25 1"PT 472 Material PTFE φ21 260~1500(Max.) Max.180</p>	 <p>φ113 1/2"NPT 108 25 1"PT 412 Material UPE φ21 260~1500(Max.) Max.180</p>
Order No.	[PLATE MODEL] SA376(WITH SA-75U)	[HI-TEMP. ANSI-STATIC MODEL] SA377(WITH SA-75U)	[ANTI-STATIC MODEL] SA378(WITH SA-75U)
Ambient temp.	-20°C~60°C	-20°C~60°C	-20°C~60°C
Operating temp.	-20°C~80°C	-20°C~200°C	-20°C~80°C
Operation pressure	20kg/cm ²	20kg/cm ²	20kg/cm ²
material	SUS 304/316	PTFE	UPE Coating
Insulated material	UPE	PTFE	UPE
Connection	2-1/2"x 5kg/cm ² Flange (SUS)	1"PT Screw (SUS)	1"PT Screw (SUS)
Sensitivity range	10pF (std.)	10pF (std.)	10pF (std.)
Weight	Approx. 3.2kg	Approx. 3.1kg	Approx. 2kg
Housing spec.	Aluminum IP65		
Supply voltage	16~24Vdc		
Delay time	Ex ia IIC T3~T6		
Power consumption	2W		
Output rating	NPN 100mA		

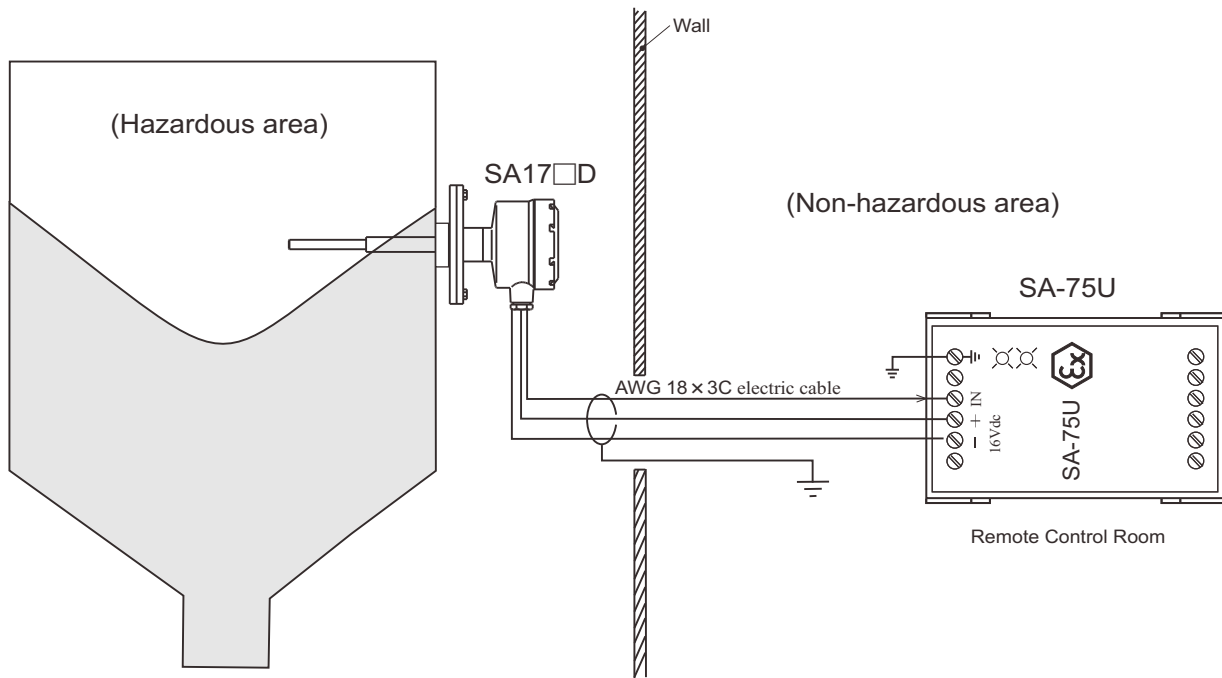
SA-75U INTRINSIC SAFE SIGNAL CONDITIONER

SA-75U Zener barriers inside provide intrinsic safety to SA37□ molex level switch. The unit works uses a current-limiting feature protecting the device from power surges, sparks and other electrical damage.

1. Supply voltage : 110 / 220Vac ± 3%
2. Power consumption : 2W
3. Input signal : NPN transistor
resistance Ri= 500Ω
4. Output voltage : 16 Vdc
5. Short circuit current : 25mA max.
6. Relay output : SPDT
10A /30Vdc
10A /220Vac
7. Operating temp. : -20°C ~ 60°C
8. Weight : 0.3 kg
9. Enclosure rating : Ex (ia) IIC T6



■ WIRING CONFIGURATION



CALIBRATION

QUICK CALIBRATION

1. Turn the "SENSITIVITY" to the "H" position.
2. Place a flat screw driver in the "Coarse" coarse hole, turn clockwise until INDICATOR turns on. Check whether "Indicator" light is on or not by turning the "Sensitivity Adj" knob again.
3. If not, repeat procedure.

SENSITIVITY ADJUSTMENT

1. Initially, the "Indicator" LED will turn off when the tank's material doesn't contact the probe.
2. When making contact with the probe, it will turn on. As soon as LED turns on, adjust the "SENSITIVITY" until the light turns off. Turn the knob "SENSITIVITY" to the middle position between where it turned off and "H"

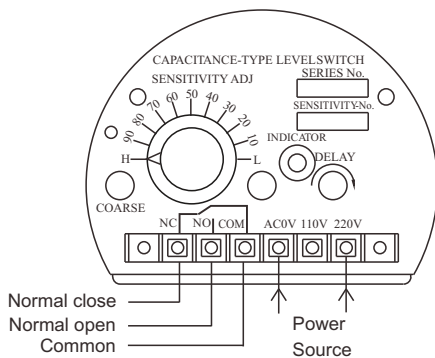
DELAY FUNCTION CALIBRATION

The default setting is 0 second when material comes into contact with the probe (Indicator ON)

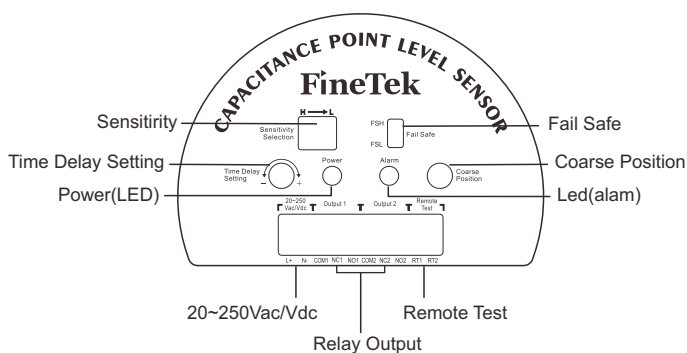
For setting the delay function, turn the screw clockwise. The further clockwise, the longer the delay. The delay function is suitable for mediums with agitators, splashing or level turbulence in the tank.

PANEL DESCRIPTION

SA110,120,130,150,160,180,270,370 A/B/C/D



SA140 A/B/C/D



SA190 CALIBRATION

1. Set sensitivity OFF (Figure 2).
2. Turn COARSE until red SIGNAL LED turns on.
3. Set sensitivity ON (90%) in dip switch 1 (Figure 3). The LED indicator will turn off with no signal output.
4. Set sensitivity to the OFF position again. LED indicator will turn on again and complete the calibration procedure.

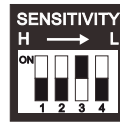


Figure 1

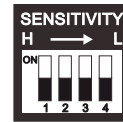


Figure 2

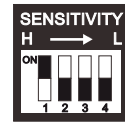


Figure 3

Sensitivity Adjustment

Sensitivity Adjustment	4 Step DIP Switch				Adjust Mode
	(1)	(2)	(3)	(4)	
1P	●				Switch (1) ON ; Switch (2+3+4) OFF
2P		●			Switch (2) ON ; Switch (1+3+4) OFF
3P			●		Switch (3) ON ; Switch (1+2+4) OFF
4P				●	Switch (4) ON ; Switch (1+2+3) OFF
5P		●	●		Switch (2+3) ON ; Switch (1+4) OFF
6P	●	●			Switch (1+2+3) ON ; Switch (4) OFF
7P			●	●	Switch (3+4) ON ; Switch (1+2) OFF
8P	●		●	●	Switch (1+3+4) ON ; Switch (2) OFF
9P		●	●	●	Switch (2+3+4) ON ; Switch (1) OFF
10P	●	●	●	●	Switch (1+2+3+4) ON

HIGH LEVEL FAILSAFE ALARM:

When the medium has no contact with the probe, the green LED lights up and relay output COM/NC is in an open state.

When the medium level reaches high level and it touches the probe (or in the case of blackout), the green LED turns off and the relay output COM/NC is closed. When the relay output COM/NC is closed, it implies the FSH alarm has been activated.

LOW LEVEL FAILSAFE ALARM:

When the medium touches the probe the green LED lights up and the relay output COM/NC is in an open state.

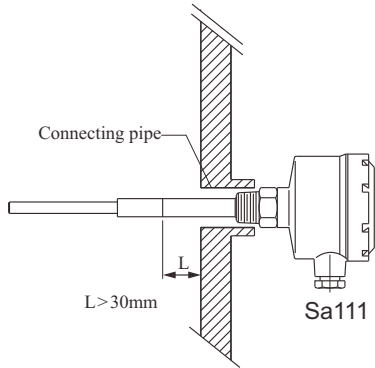
When the medium level drops below the low level and the medium does not have contact with the probe (or in the case of blackouts), the green LED turns off and relay output COM/NC is closed.

When relay output COM/NC is closed, it implies the FSL alarm has been activated.

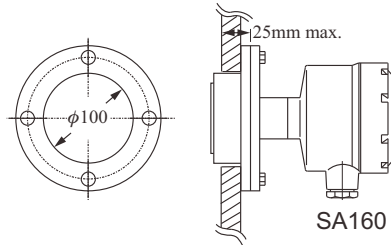
Time Delay:

1. Time delay allows the level switch to change state with range from 0~6 seconds.
2. Turn time delay knob clockwise to increase the delay

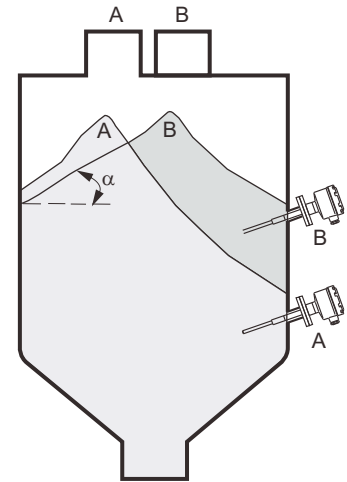
INSTALLATION NOTICE



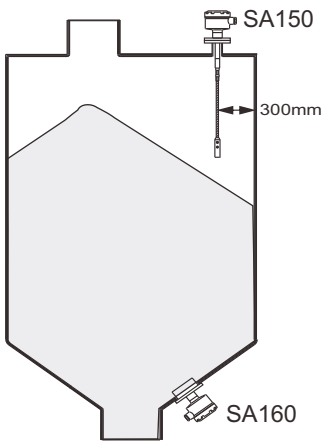
The insulation part should be mounted to protrude 30mm from the vessel wall.



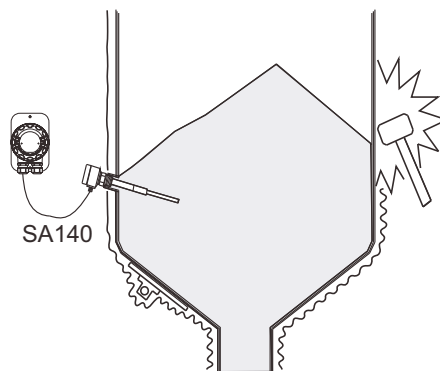
SA160 should be mounted as above.



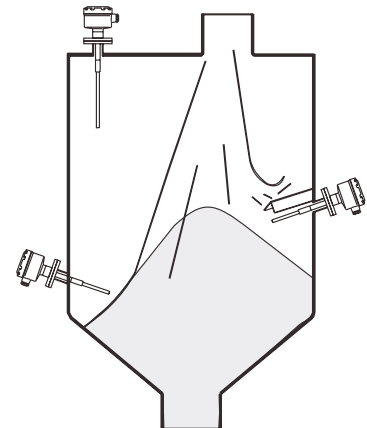
To prevent false readings, check the flow pattern (angle α) of the material and place the probe in the appropriate location.



If the probe is mounted on the top, make sure the length of probe long enough to touch the highest level of medium.
The SA160 MODEL is usually installed at the lower wall of the tank.

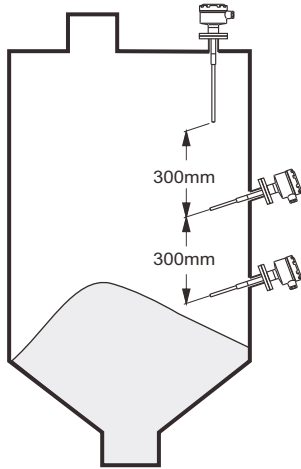


For Non-Stationary or vibrating environment, a separate control unit such as the SA140 is suggested.

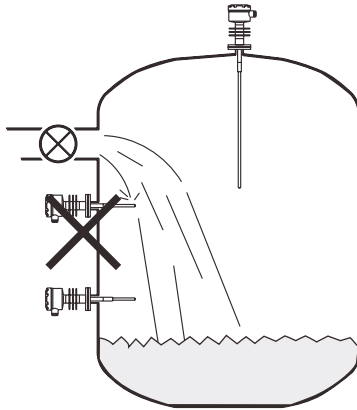


It is suggested to install the probe away from the inlet to reduce the risk of inflowing material damaging the probe. If the probe is near an inlet, it is recommended to place a protective cover 200mm above the probe. The cover should be parallel to the probe and the same length.

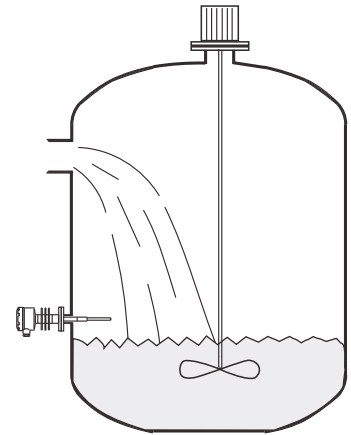
INSTALLATION NOTICE



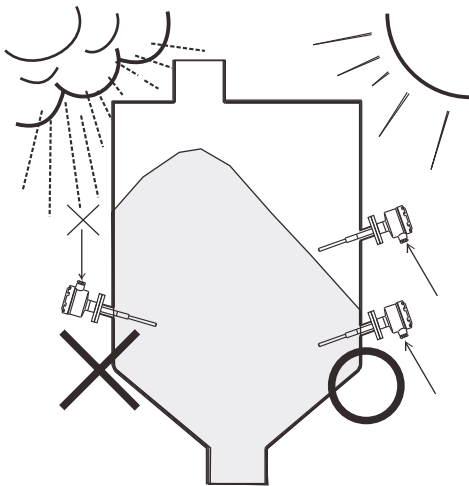
If two parallel probes are mounted, they must be installed separately at least 300 mm to minimize interference .



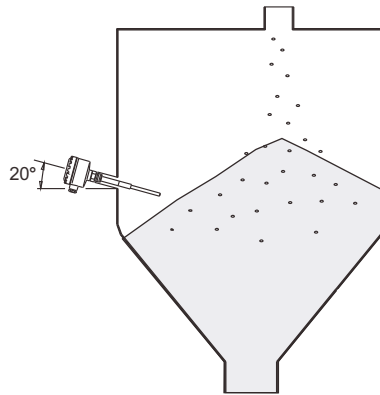
The probe should not be mounted underneath a liquid inlet, otherwise it will switch on erroneously.



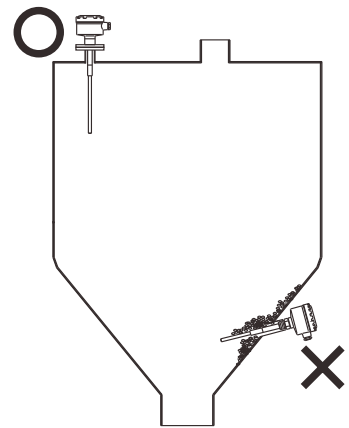
If the tank equips with agitator, please use the time-delay type to prevent fault level detection.



The cable inlet should face downward to avoid rain damage. Tighten the cable with the connecting part.



Mounting the probe at a 20° incline will optimize the results and increase sensitivity. It also won't be damaged by the inflowing material.



Mounting the probe at top of tank can avoid material bridges from forming. It's helpful to record accurate measurements.

ORDER INFORMATION

SA110 A DQ (1000)

Model

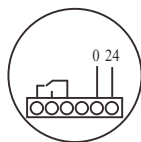
- 11□ --- Standard Type
- 12□ --- Hi-temp. Type
- 13□ --- Corrosion Proof Type
- 140 --- Remote Probe Type
- 150 --- Wire Probe Type
- 160 --- Plate Type
- 18□ --- Anti-Static Type
- 27□ --- Explosion Proof Type
- 37□ --- Explosion Proof Type

Terminal Arrangement

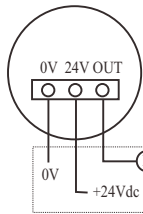
- A---110/220Vac
- B---DC24V, Relay output
- C---DC24V, NPN transistor output
- D---Designed for use with SA-75U



SA□□□A
110V/220VAC
Relay output

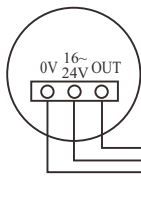


SA□□□B
DC24V
Relay output

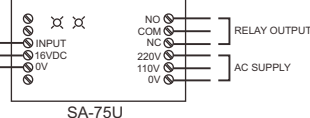


SA□□□C
DC24V
Transistor npn output

External power supply



SA37□D
Ex (ia) IIC
Control unit output



* For SA140(Remote Series), please refer to the operation manual.

Connection

- | | | |
|-----------------|--------------------------|-----------|
| C---3/4"(20A) | M---5kg/cm ² | W---PN 10 |
| D---1"(25A) | N---10kg/cm ² | X---PN 16 |
| E---1-1/2"(40A) | O---150 Lbs | Y---PN 25 |
| F---2"(50A) | P---300 Lbs | Z---PN 40 |
| G---2-1/2"(65A) | Q---PT | |
| H---3"(80A) | R---PF(G) | |
| I ---4"(100A) | T---BSP | |
| J---5"(125A) | U---NPT | |
| K---6"(150A) | S---Others | |
| S---Others | | |

Probe Length (mm)

- 0500: 500mm (Below~500mm) ※ 500mm per Unit
- 1000: 1000mm (501~1000mm)
- 1500: 1500mm (1001~1500mm)

- ※ Tolerance of the total product length is ± 5mm.
- ※ Characteristics, specifications and dimensions are subject to change without notice.
- ※ Please contact your nearest distributor office for further informations.

ORDER INFORMATION

SA 190 **R** - **P** **DQ**

Supply Voltage & Output Rating

R: 20~250, 50/60Hz Vac/dc (Relay)
N: 20~250, 50/60Hz Vac/dc Transistor

Probe Material

P: PP
M: POM

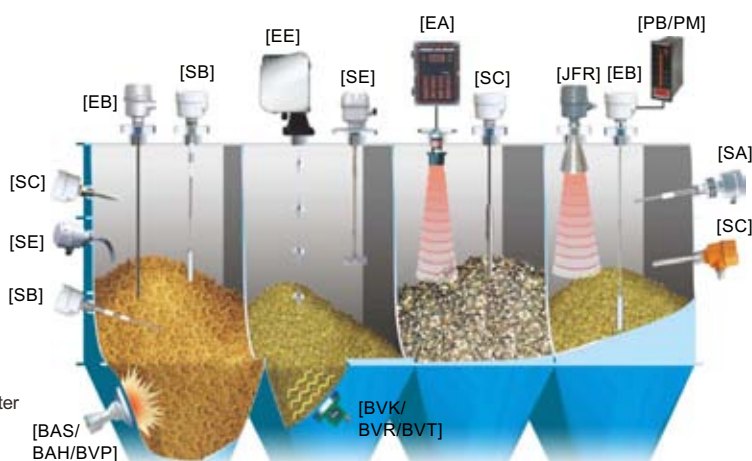
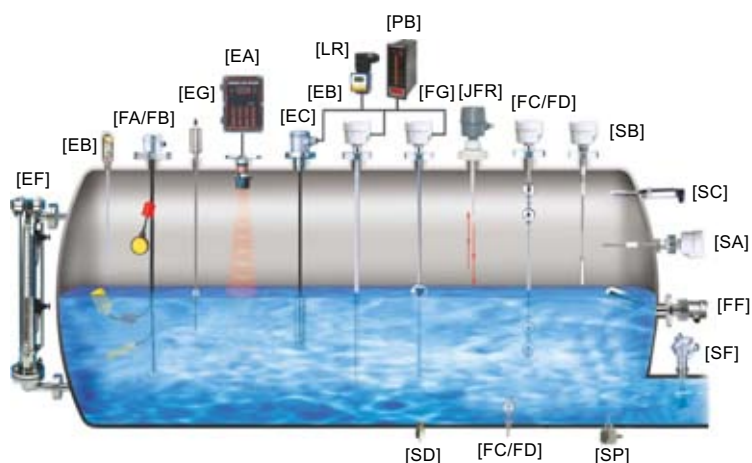
Connection

D: 1" (25A) Q: PT
 U: NPT

- ※ Tolerance of the total product length is ± 5 mm.
- ※ Characteristics, specifications and dimensions are subject to change without notice.
- ※ Please contact your nearest distributor office for further informations.

EXAMPLES-OF-TANK-MOUNTING

- [FC/FD] Mini Float/Magnetic Float Level Switch
- [FG] Magnetic Float Level Transmitter
- [FF] Side Mounting Float Switch
- [FA/FB] Cable Float Level Switch
- [SP] Thermal Dispersion Flow Switch
- [SF] Paddle Flow Switch
- [SD] Optical Level Switch
- [SE] Rotary Paddle Level Switch
- [SA] Capacitance Level Switch
- [EC] Pressure Level Transmitter
- [LR] Loop Power Indicator
- [SC] Vibrating Probe Level Switch
- [SC] Tuning Fork Level Switch
- [EB] RF-Capacitance Level Transmitter
- [SB] RF-Capacitance / Admittance Level Switch
- [EG] Magnetostrictive Level Transmitter
- [EF] By-Pass Level Transmitter
- [MEF] Mini By-Pass Level Transmitter
- [EA] Ultrasonic Level Transmitter
- [JFR] FMCW Radar Level Transmitter
- [EE] Electromechanical Level Measuring System
- [ED] Speed Monitor
- [SRT/SRS] Conveyor Belt Misalignment Switch & Safety Cable Pull Switch
- [PB/PM] Microprocessor Based Bargraphic Display Scaling Meter
- [BRD/AE] Valve and Controller for Dust Collector System
- [BAS/BAH/BVP] Air Hammer
- [BVK/BVR/BVT] Pneumatic Vibrator



FineTek Co., Ltd.

No.16, Tzuchiang St., Tucheng Industrial Park, New Taipei City 23678, Taiwan.
 TEL: 886 2 2269 6789 FAX: 886 2 2268 6682
 Email: info@fine-tek.com http://www.fine-tek.com

Taichung Branch TEL: 886 4 2465 2820 FAX: 886 4 2463 9926
Tainan Branch TEL: 886 6 289 0635 FAX: 886 6 289 4073
Kaohsiung Branch TEL: 886 7 333 6968 FAX: 886 7 536 8758

Fine automation (ShangHai) Co., Ltd.

No.451 DuHui Rd, MinHang District, Shanghai, China 201109
 TEL: 86 21 6490 7260 FAX: 86 21 6490 7276
 Email: info.sh@fine-tek.com

FineTek Pte Ltd.

No. 11 Kaki Bukit Road 1, #04-01 Eunos Technolink 415939, Singapore
 TEL: 65 6452 6340 FAX: 65 6734 1878
 Email: info.sg@fine-tek.com

FineTek GmbH

Frankfurter Str. 62, OG D-65428 Ruesselsehim, Germany
 TEL: 49 6142 17608 0 FAX: 49 6142 17608 20
 Email: info@fine-tek.de

Aplus Finetek Sensor inc.

355 S. Lemon Ave, Suite D, Walnut, CA 91789
 TEL: 1 909 598 2488 FAX: 1 909 598 3188
 Email: peter.wu@aplusfine.com



Distributor: