

## TCA SOLID STATE RELAYS

**Features:**

- ABS fireproof case
- Led indication
- Input reverse polarity protection
- Zero crossing turn on
- Zero crossing turn off



**DC Input Control**

Model number	Input	Output
TCSSRD3810	DC 3 – 32 V	AC 380V 10AMP
TCSSRD3825	DC 3 – 32 V	AC 380V 25AMP
TCSSRD3840	DC 3 – 32 V	AC 380V 40AMP
TCSSRD4825	DC 3 – 32 V	AC 480V 25AMP
TCSSRD4840	DC 3 – 32 V	AC 480V 40AMP

**AC Input Control**

Model number	Input	Output
TCSSRA3810	AC 90 – 250V	AC 380V 10AMP
TCSSRA3825	AC 90 – 250V	AC 380V 25AMP
TCSSRA3840	AC 90 – 250V	AC 380V 40AMP
TCSSRA4825	AC 90 – 480V	AC 480V 25AMP
TCSSRA4840	AC 90 – 480V	AC 480V 40AMP

**Variable Voltage Output**

Model number	Input	Output
TCSSRR2540	Resistor 200K Ω	AC 250V 40AMP

c/w resistor, panel decal and knob

To operate at above current ratings a heat sink is required (a de-rating of 50% is necessary if no heat shrink used).

## TCA POWER CONTROLLERS

**FEATURES**

- Power Supply : 240V - Single Phase 50/60 Hz
- Load Capacity : 20AMP, 30AMP, 40AMP Resistive Load
- Output Voltage : 0 –97 %
- Input Signal : 4 - 20 mA , 1—5 V DC, Manual Potentiometer . ( Jumper selectable )
- Cooling System: heat sink only
- Ambient operating Temperature : -10 to 55 Deg C

PART NUMBER	POWER	VOLTAGE	CURRENT
TCPR1202	4.4 kw	240V	20A
TCPR1203	6.6 kw	240V	30A
TCPR1204	8.8 kw	240V	40A

For further information including pricing on all our products please visit

[www.temperature.com.au](http://www.temperature.com.au)





# Solid State Relay (1 Phase with SCR unit)

## 1 $\phi$ (10~60A)



### Features

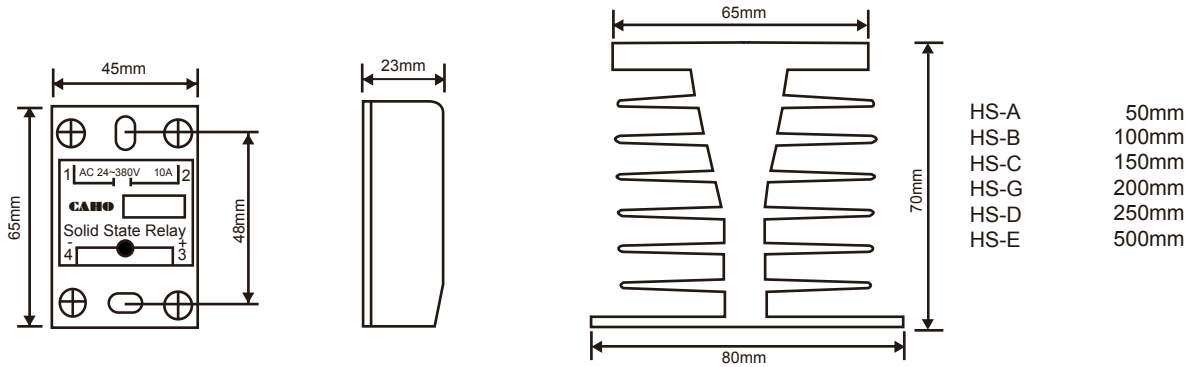
1. Load current ranges from 10 to 60 Amps.
2. Internally mounted snubber circuit protection from huge current (dv/dt) application.
3. Zero Crossing turn-on, Zero current turn-off.
4. With LED display to detect the operation condition of devices.
5. Photo-isolation, 4000V Rms isolation.
6. R SERIES have output power 0~90%
7. Ambient Temperature: -10 °C~55 °C, below 90% humidity
8. Weight: 70g

### SPECIFICATIONS

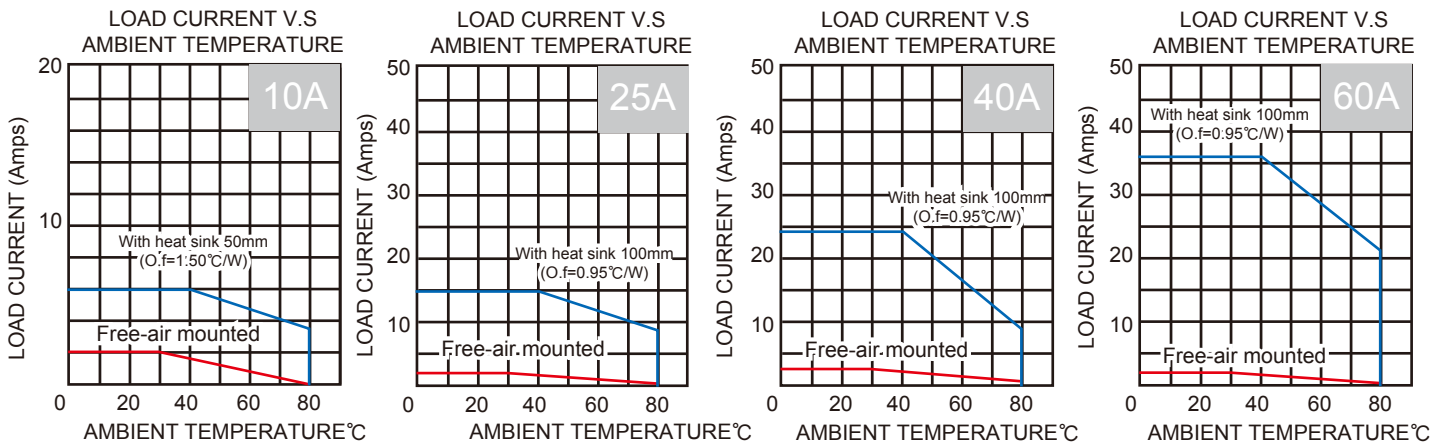
(Ta=25°C)

Data	Model No.				SR-A38□□ SR-A48□□			SR-U24□□			SR-R25□□ SR-R38□□ SR-R48□□		
	Type				( AC-AC )			( DC-AC ) ( AC-AC )			( VR-AC )		
Input Signal Voltage	DC 3~32V				AC 90~250V			DC/AC 5~32V			VR B250KΩ VR B500KΩ VR B500KΩ		
Output Load Voltage Range	AC 24~380V AC 380~440V				AC 24~380V AC 380~440V			AC 24~380V AC 380~440V			AC 90~220V AC 220~380V AC 380~440V		
Load Current	10A	25A	40A	60A	10A	25A	40A	10A	25A	40A	10A	25A	40A
Max. 1 Cycle Surge Current	125A	260A	315A	350A	125A	260A	315A	125A	260A	315A	125A	260A	315A
Max. On State Voltage Drop	AC 1.6V												
Response Time	1/2 cycle + 1 msec.				3/2 cycle + 1 msec.			3/2 cycle + 1 msec.					
Dielectric Strength	10 <sup>8</sup> ohms				10 <sup>8</sup> ohms			10 <sup>8</sup> ohms					
Isolation between Input/Output	2500V (RMS)				2500V (RMS)			2500V (RMS)					
Isolation Input/Output to Case	2500V (RMS)				2500V (RMS)			2500V (RMS)					
Capacitance	15 pf (Max.)				15 pf (Max.)			15 pf (Max.)					
Operating Temperature	-20°C~80°C				-20°C~80°C			-20°C~80°C					
Storage Temperature	-40°C~80°C				-40°C~80°C			-40°C~80°C					
Weight(approx.)	70g												

## DIMENSION



## CHARACTERISTIC CURVES



※Must consider the system of power on, heat sink and other factors, the usage current shouldn't be above 60% of its rated current.

※Testing: Load current over 1A  
ORDERING CODE

Model No.		SR- [Color 1] [Color 2] [Color 3] [Color 4] [Color 5]				
Series	DC-AC	D				
	AC-AC	A				
	DC/AC-AC	U				
	VR-AC	R				
Line Voltage	250V AC		25			
	380V AC		38			
	440V AC		48			
Load Current	10A			10		
	25A			25		
	40A			40		
	60A			60		
Heat Sink	None fitted				N	
	Fitted with Heat Sink 80x70x50mm				A	
	Fitted with Heat Sink 80x70x100mm				B	
	Fitted with Heat Sink 80x70x150mm				C	
	Fitted with Heat Sink 80x70x250mm				D	
	Fitted with Heat Sink 80x70x500mm				E	
DIN rail adapter option	Just for HS-A,B or C,D,E,G Heat Sink					S

※Note:  
 1. No 10A model type for 440V power supply.  
 2. Please refer to the specification and indicate your requirements.  
 3. Due to the cooling concern, while ordering 60A SSR, please also include the heatsink HS-C.