

# LCD-H20

## Loop Powered LCD Indicator for In-head Mounting



LCD-H20



LCD-H20 is a digital indicator for installation directly in a 4-20 mA loop without need for external power. LCD-H20 is designed for in-head mounting in a sensor connection head with glass window.

The indicator is equipped with high-contrast, easy-to-read LCD digits. The scale is easily programmable, without reference signal, by three pushbuttons for any values between -1999 and 9999.

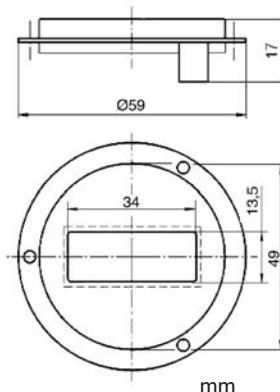
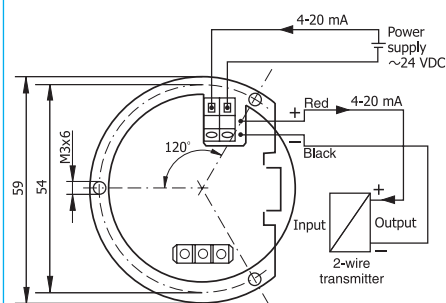
As an option, LCD-H20 can be delivered mounted in a connection head.

- Installation directly in a 4-20 mA loop without need for power supply
- 2.5 V voltage drop
- High-contrast, 4-digit LCD display with 12 mm digits
- Simple pushbutton scaling without reference signal
- Any range between -1999 to 9999 for 4 to 20 mA input
- Labels for different engineering units are included
- Typical accuracy of 0.1 % allows for high precision read-outs
- HART transparent
- Designed for ambient temperatures between -20 to +70 °C / -4 to +158 °F
- Protection IP 65 when mounted in connection head type DANAWdia

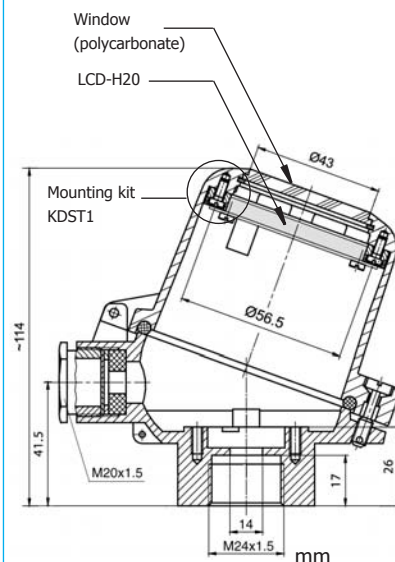
### Specifications:

<b>Input Current</b>	4 - 20 mA
Operating range	3.8 - 22 mA
<b>Voltage drop</b>	2.5 V
<b>Indication</b>	
Display	Black LCD with 4 digits incl. minus sign
Digit Height	12 mm
Indication range	Any range between -1999 to 9999
Decimals	Selectable, 0 to 3
Engineering units	Set of labels included (including blanks)
<b>Response time</b>	Adjustable 0.25 s to 2 s
<b>Scale setting</b>	3 pushbuttons
<b>Operating temperature</b>	-20 to +70 °C / -4 to +158 °F
<b>Typical accuracy</b>	±0.1 % of programmed span ±1 digit
<b>Dimensions</b>	Diameter 59 mm, thickness 20 mm
<b>Protection</b>	IP 20 (IP 65 in connection head)
<b>Connection</b>	Stranded, ≤ 1 mm <sup>2</sup> , AWG 16
<b>Mounting</b>	Connection head type DANAWdia with mounting kit KDST1

### Connections/Dimensions Indicator



### Dimensions connection head



### Ordering information

LCD-H20 indicator only	70LCDH2001
LCD-H20	
in connection head DANAWdia	70LCDH2011
Configuration	70CAL00001