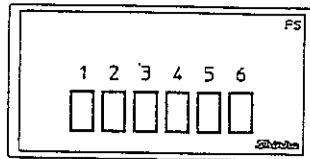


INSTRUCTION MANUAL
FOR
6-point changing switch

FS-106-E



Thank you for your purchase of our 6-point changing switch FS-106-E. This manual contains instructions for the mounting, the functions, the operations and the notes when operating the FS-106-E. Please read and understand this instruction manual before starting operation.

To prevent accidents by mis-handling of this indicator, please arrange to give this manual into the hands of the operator who actually uses our product.

No.FS11E1 '97.11

... Notes to users ...

Before operating this indicator, please understand about following matters.

Warning

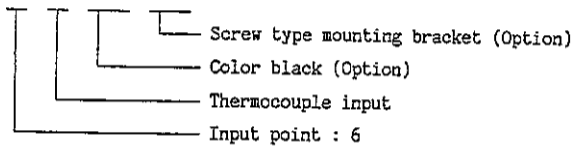
Turn the power supplied to the instrument off before wiring or checking done. If working or touching the terminal with the power on status, there is a possibility of Electric Shock which can cause severe injury or death.

1. Model names

1.1 Model names

[Example]

FS-106-E. BK. BL



Input : Thermocouple (K, J, R, S, B, E, T, C[W/Re5-26], N, PL-II)

Optional code

Code	Description
BK	Color: Black
BL	Screw type mounting bracket (Panel thickness, 1 to 15mm)
TC	Terminal cover (Electrical shock protecting terminal cover)

1.2 How to indicate the model nameplate

Model nameplates are put on the bottom of the case and the top of the inner assembly.

Model nameplate [Example]

FS-106-E	} Model name
BK. BL. TC	
No.	} Option codes
	} Instrument No. (Indicated only inner assembly)

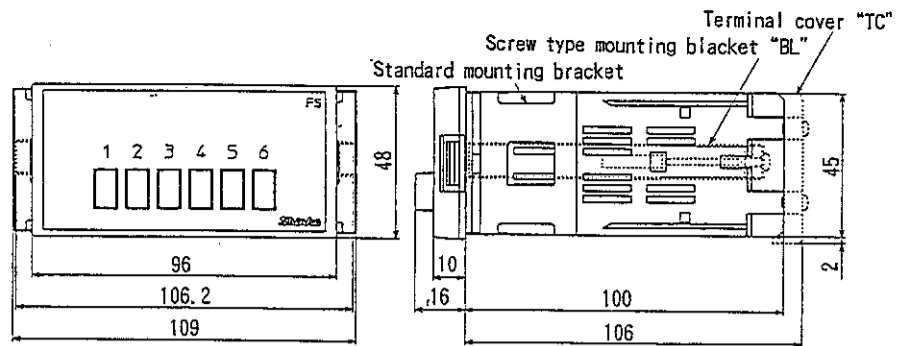
2. Mounting to control panel

2.1 Site selection

Mount the controller in a place with:

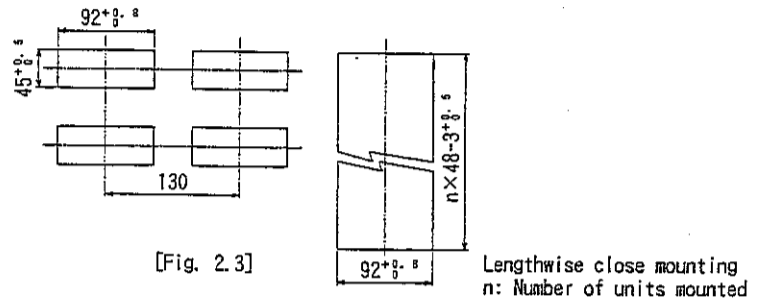
- (1) A minimum of dust, and an absence of corrosive gases.
- (2) No mechanical vibrations or shocks.
- (3) No exposure to direct sunlight, an ambient temperature is 0 to 55°C (32 to 131°F) and it does not change suddenly.
- (4) An ambient humidity is 85%RH or less, and non-condensing.
- (5) The controller should be away from the electromagnetic switch of large capacity or cables through which large current flows.
- (6) No water, oil or chemicals and their vapor directly splash.

2.2 External dimension drawing



[Fig. 2.2]

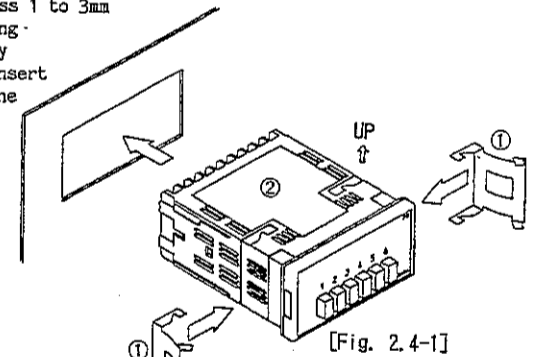
2.3 Panel cutout drawing



[Fig. 2.3]

2.4 Mounting

- When using the Standard type of mounting bracket. (One-touch type)
Mounting panel thickness 1 to 3mm
Mount one-touch mounting-brackets ① to the body in advance, and then insert the FS-106-E ② from the front of the panel.

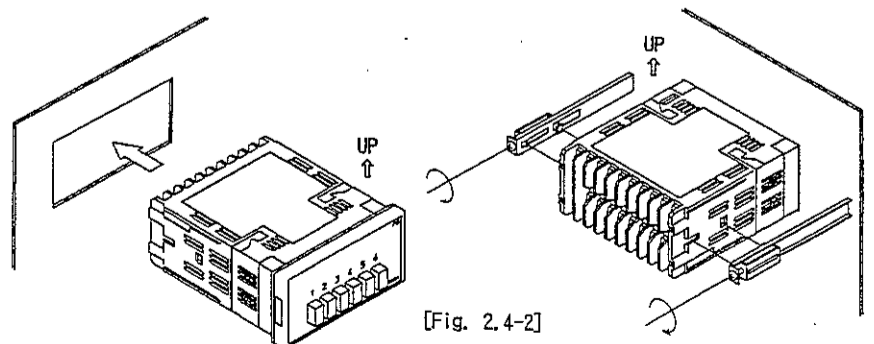


[Fig. 2.4-1]

- When using the Screw type mounting bracket [Option code: BL].
Mounting panel thickness is 1 to 15mm.
Insert the FIR-201 from the front of the panel.
Catch the mounting brackets to the holes right and left of the case, and screw to fix.

Notice

Do not screw with excessive force, or the case may be bent, because it is made of resin. Torque to screw is approximately 1.2kgf·cm.



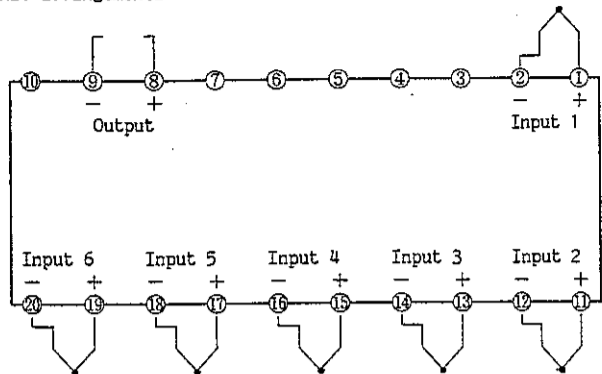
[Fig. 2.4-2]

3. Wiring connection

Warning

Turn the power supplied to the instrument off before wiring or checking done. If working or touching the terminal with the power on status, there is a possibility of Electric Shock which can cause severe injury or death.

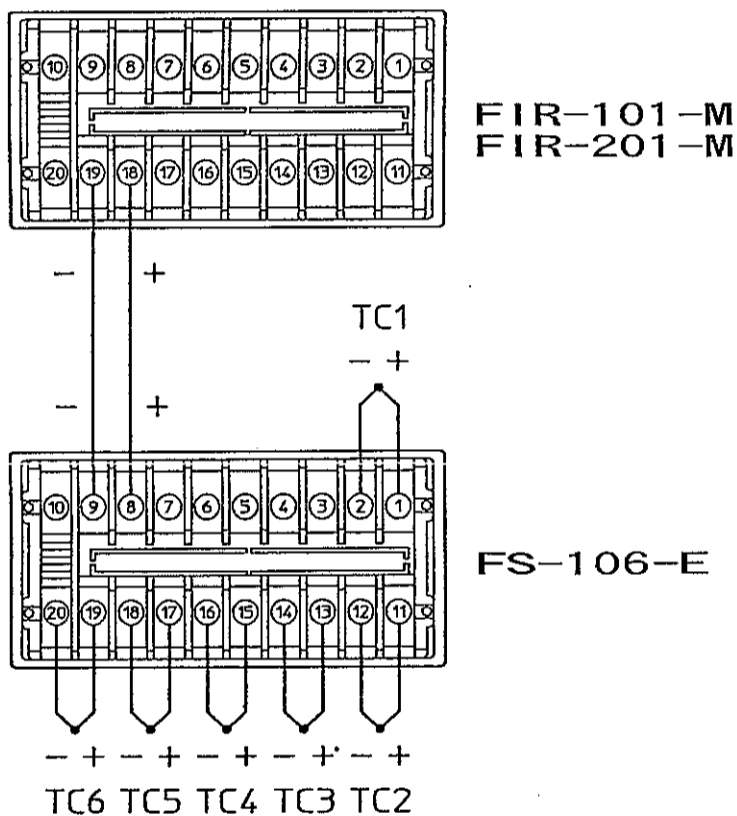
3.1 Terminal arrangements



[Fig. 3.1]

The terminal block of this instrument is designed to wire from the upper side. Lead wire must be inserted from the upper side of the terminal, and fasten by the terminal screw.

3.2 Wiring connection examples



[Fig. 3.2]

4. Specifications

4.1 Standard specifications

Mounting method	: Flush
Input	: Thermocouple
Thermocouple	: K, J, R, S, B, E, T, C(W/Re5-26), N, PL-II
Action method	: Locks pressed switch only
Input change-over	: 6-point pushbutton switch
	: Head of the pushbutton switch, Black
Switch	
Type	: Push switch
Rating	: 0.3A at 45Vdc (resistive load)
Contact resistance	: 20mΩ or less
Contact capacity	: 3pF or less
Contact timing	: Non-shorting
Contact life	: 10000 times (Rated load) or greater
Working force	: 450±200gf
Ambient temperature	: 0 to 55°C (32 to 131°F)
Weight	: Approx. 250g
Accessories	: Mounting bracket 1 set
	: Instruction manual 1 copy
	: Terminal cover 1 piece
	: (When option TC is applied)
	: Screw type mounting bracket 1 set
	: (When option BL is applied)

4.2 Optional specifications

Color black [Option code: BK]
 Case: Black
 Front panel: Dark gray

Screw type mounting bracket [Option code: BL]
 Panel thickness, 1 to 15mm

Terminal cover [Option code: TC]
 Electrical shock protecting terminal cover

SHINKO TECHNOS CO., LTD.
OVERSEAS DIVISION

Reg Office : 2-48, 1-Chome, Ina, Minoo, Osaka, Japan
 Mail Address: P.O.Box 17, Minoo, Osaka, Japan
 Telephone : (0727)21-2781 & 2782
 Cable: SHINKO MINOO JAPAN
 FAX : (0727) 24-1760