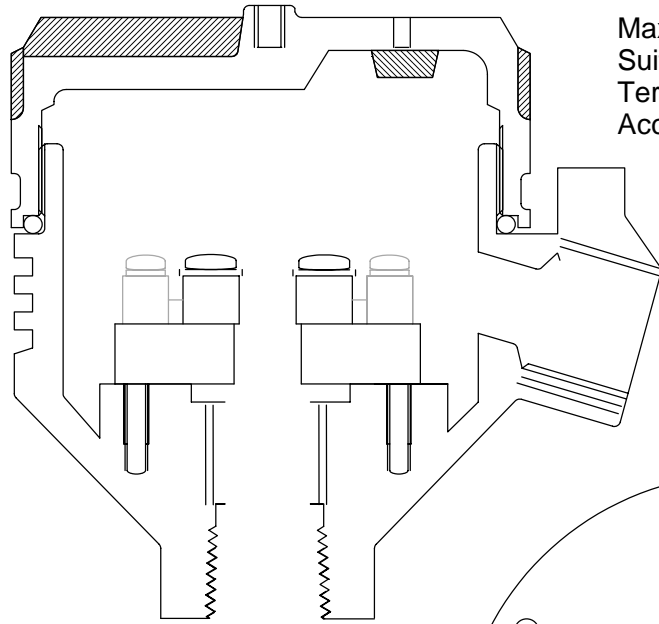


Ex d Head Flameproof

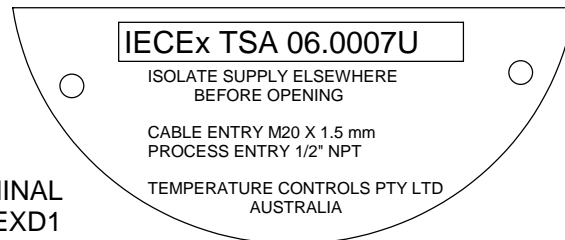
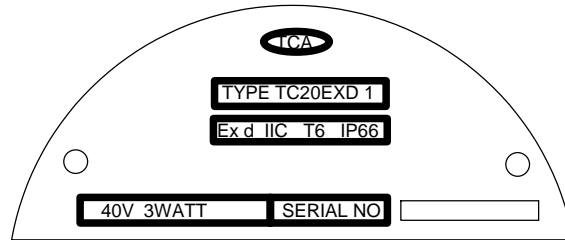
Max 40 V 3 Watt Rating
 Suitable for use with thermocouple /RTD Sensors
 Terminal Blocks or Transmitters
 Accepts 33mm and 40mm Centre Terminal Blocks



M20 x 1.5mm
Cable Entry

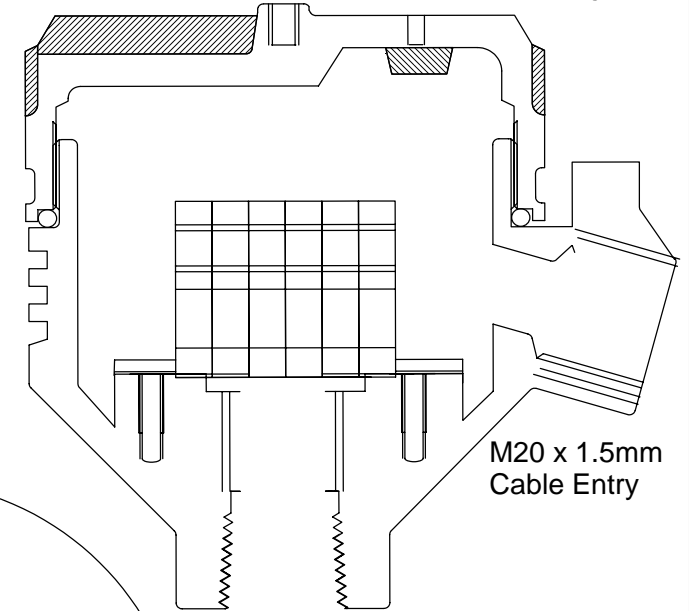
PROCESS ENTRY
1/2" NPT

Ex d



LABELLING FOR Ex d TERMINAL ENCLOSURE MODEL TC20EXD1 USED AS A COMPONENT

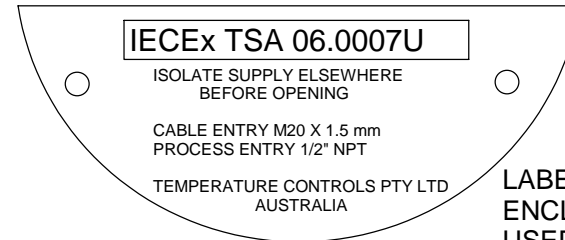
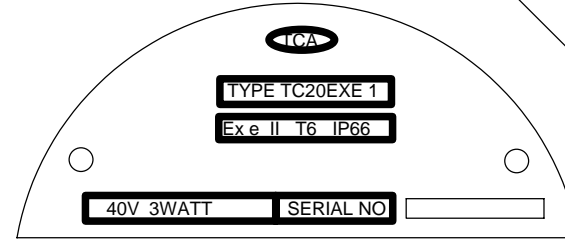
Ex e Head Increased Safety



M20 x 1.5mm
Cable Entry

PROCESS ENTRY
1/2" NPT

Ex e



LABELLING FOR Ex e TERMINAL ENCLOSURE MODEL TC20EXE1 USED AS A COMPONENT

IECEX Certificate No. IECEX TSA 06.0007U

IECEX certified Ex d IIC T6 IP66
 IECEX certified Ex e IIC T6 IP66

TEMPERATURE CONTROLS PTY LTD

CONDITIONS

THIS DRAWING IS OUR EXCLUSIVE PROPERTY AND MUST NOT BE COPIED OR HANDED TO ANY OTHER PARTIES WITH OUT WRITTEN PERMISSION. IT SHALL BE RETURNED UPON REQUEST

SYDNEY : 7 YAMMA ST SEFTON , NSW 2162
 PHONE : (02) 9721 8644 FAX : (02) 9738 9339
 MELBOURNE : 8/280 Whitehall St
 YARRAVILLE VIC 3013
 PHONE : (03) 9687 0000 FAX : (03) 9687 1900
 EMAIL : sales@temperature.com.au



Quality Endorsed Company

Certificate No: QEC 14412 AS/NZS 9001:2000

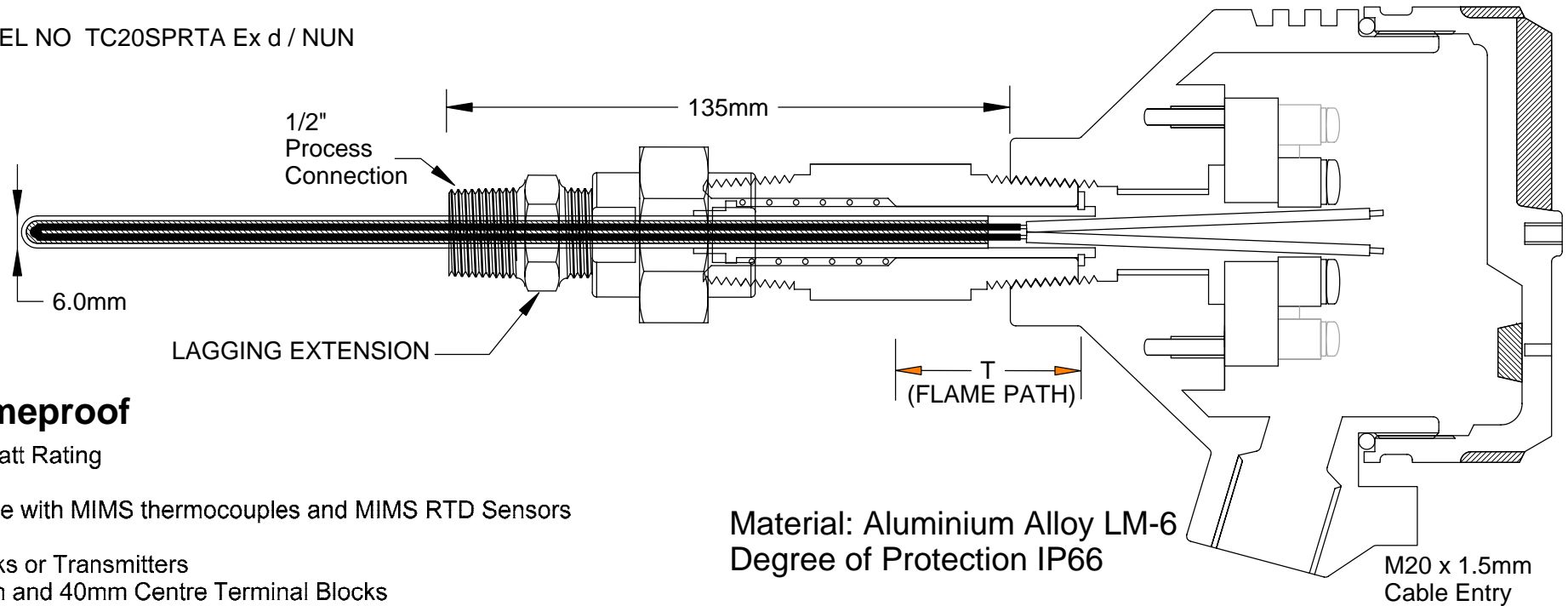
TITLE

IECEX TERMINAL HEADS

SIZE : A4	DATE : 03/01/07	DWG NO : SD 558
SCALE : NTS	DRAWING BY K.F	REV : 01

Ex d Certified Temperature Assembly with Spring loaded Nipple/ Union/ Nipple

MODEL NO TC20SPRTA Ex d / NUN



Ex d Flameproof

Max 40 V 3 Watt Rating

Suitable for use with MIMS thermocouples and MIMS RTD Sensors

Terminal Blocks or Transmitters

Accepts 33mm and 40mm Centre Terminal Blocks

Material: Aluminium Alloy LM-6
Degree of Protection IP66

M20 x 1.5mm
Cable Entry

Classification of maximum surface temperatures

TEMPERATURE CLASS	MAXIMUM SURFACE TEMPERATURE °C
T6	85
T5	100
T4	135
T3	200
T2	300
T1	450

LAGGING EXTENSION

T6 NO LAGGING EXTENSION REQUIRED

T5 TO T1 TEMPERATURES – LAGGING EXTENSION REQUIRED

FOR APPLICATIONS WHERE THE TEMPERATURE SENSOR IS TO BE USED IN T5 TO T1 TEMPERATURES A 50 MM LAGGING EXTENSION SHALL BE FITTED TO ENSURE THE ENCLOSURE REMAINS BELOW T6 TEMPERATURE RATING.

**IECEX Certificate of conformance No. IECEX TSA 06.0010
for complete assembly**

IECEX certified Ex d IIC T6 IP66 Zone 1, Zone 2

TEMPERATURE CONTROLS PTY LTD

CONDITIONS

THIS DRAWING IS OUR EXCLUSIVE PROPERTY AND MUST NOT BE COPIED OR HANDED TO ANY OTHER PARTIES WITH OUT WRITTEN PERMISSION. IT SHALL BE RETURNED UPON REQUEST

SYDNEY : 7 YAMMA ST SEFTON , NSW 2162
PHONE : (02) 9721 8644 FAX : (02) 9738 9339
MELBOURNE : 8/280 Whitehall St
YARRAVILLE VIC 3013
PHONE : (03) 9687 0000 FAX : (03) 9687 1900
EMAIL : sales@temperature.com.au

Certificate No: QEC 14412
AS/NZS 9001:2000



Quality
Endorsed
Company

TITLE

IECEX FLAMEPROOF ASSEMBLY

SIZE : A4

DATE : 03/01/07

DWG NO : SD 555

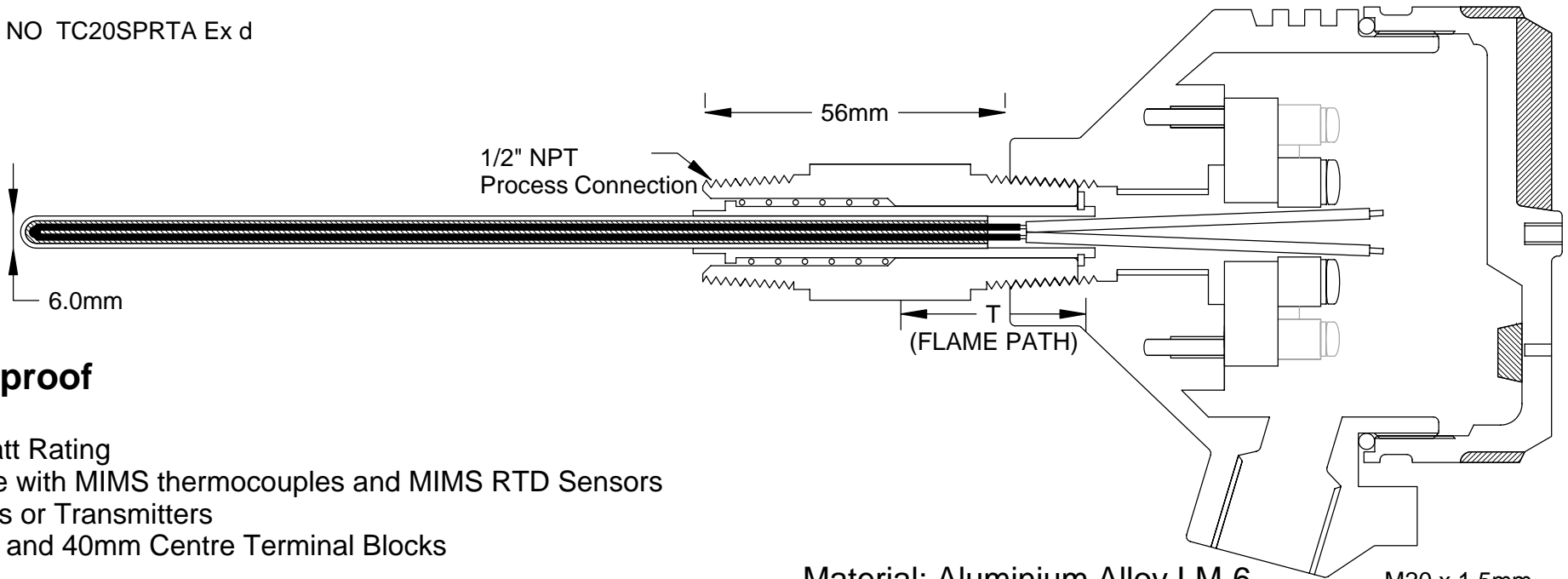
SCALE : NTS

DRAWING BY K.F

REV : 04

Ex d Certified Temperature Assembly with Spring loaded Nipple

MODEL NO TC20SPRTA Ex d



Material: Aluminium Alloy LM-6
Degree of Protection IP66

M20 x 1.5mm
Cable Entry

Ex d Flameproof

Max 40 V 3 Watt Rating
Suitable for use with MIMS thermocouples and MIMS RTD Sensors
Terminal Blocks or Transmitters
Accepts 33mm and 40mm Centre Terminal Blocks

Classification of maximum surface temperatures

TEMPERATURE CLASS	MAXIMUM SURFACE TEMPERATURE °C
T6	85
T5	100
T4	135
T3	200
T2	300
T1	450

LAGGING EXTENSION

T6 NO LAGGING EXTENSION REQUIRED

T5 TO T1 TEMPERATURES – LAGGING EXTENSION REQUIRED

FOR APPLICATIONS WHERE THE TEMPERATURE SENSOR IS TO BE USED IN T5 TO T1 TEMPERATURES A 50 MM LAGGING EXTENSION SHALL BE FITTED TO ENSURE THE ENCLOSURE REMAINS BELOW T6 TEMPERATURE RATING.

IECEX Certificate of conformance No. IECEX TSA 06.0010 for complete assembly

IECEX certified Ex d IIC T6 IP66 Zone 1, Zone 2

TEMPERATURE CONTROLS PTY LTD

CONDITIONS

THIS DRAWING IS OUR EXCLUSIVE PROPERTY AND MUST NOT BE COPIED OR HANDED TO ANY OTHER PARTIES WITH OUT WRITTEN PERMISSION. IT SHALL BE RETURNED UPON REQUEST

SYDNEY : 7 YAMMA ST SEFTON , NSW 2162
PHONE : (02) 9721 8644 FAX : (02) 9738 9339
MELBOURNE : 8/280 Whitehall St
YARRAVILLE VIC 3013
PHONE : (03) 9687 0000 FAX : (03) 9687 1900
EMAIL : sales@temperature.com.au

Certificate No: QEC 14412
AS/NZS 9001:2000



TITLE

IECEX FLAMEPROOF ASSEMBLY

SIZE : A4

DATE : 03/01/07

DWG NO : SD 547

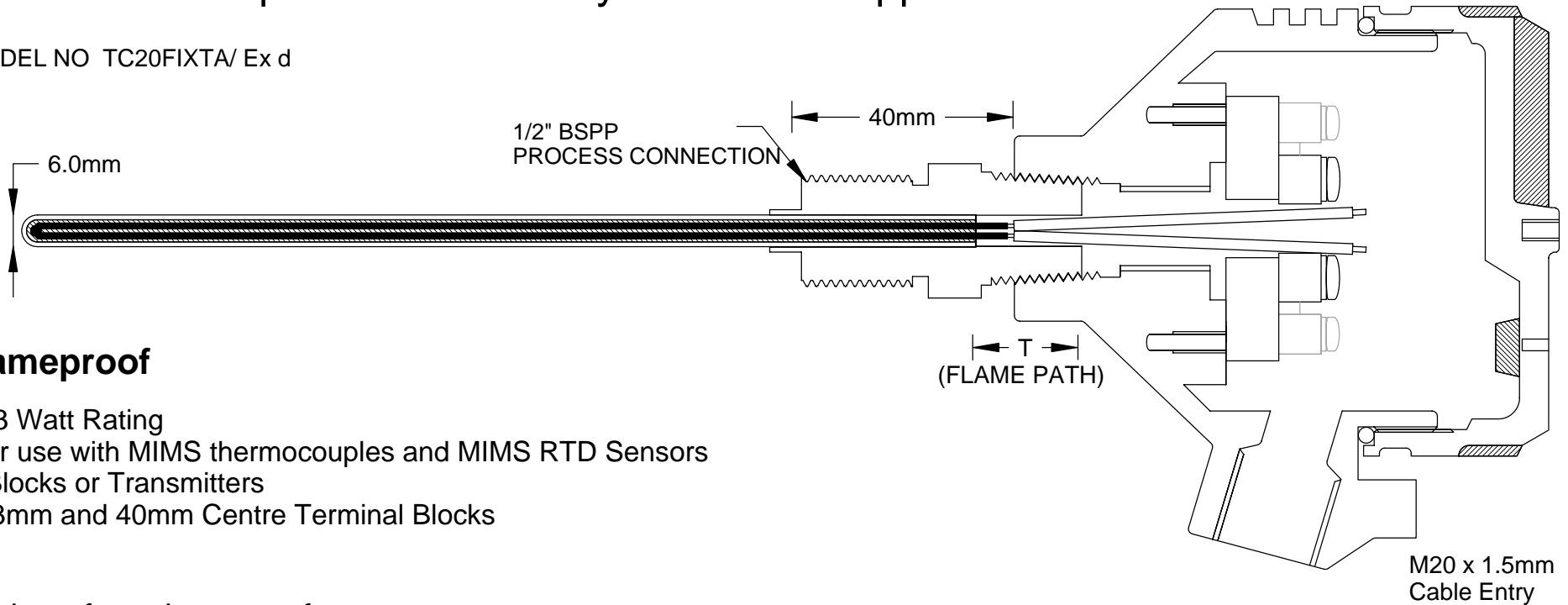
SCALE : NTS

DRAWING BY K.F

REV : 04

Ex d Certified Temperature Assembly with Fixed Nipple

MODEL NO TC20FIXTA/ Ex d



Ex d Flameproof

Max 40 V 3 Watt Rating
 Suitable for use with MIMS thermocouples and MIMS RTD Sensors
 Terminal Blocks or Transmitters
 Accepts 33mm and 40mm Centre Terminal Blocks

Classification of maximum surface temperatures

TEMPERATURE CLASS	MAXIMUM SURFACE TEMPERATURE °C
T6	85
T5	100
T4	135
T3	200
T2	300
T1	450

LAGGING EXTENSION

T6 NO LAGGING EXTENSION REQUIRED

T5 TO T1 TEMPERATURES – LAGGING EXTENSION REQUIRED

FOR APPLICATIONS WHERE THE TEMPERATURE SENSOR IS TO BE USED IN T5 TO T1 TEMPERATURES A 50 MM LAGGING EXTENSION SHALL BE FITTED TO ENSURE THE ENCLOSURE REMAINS BELOW T6 TEMPERATURE RATING.

Material: Aluminium Alloy LM-6
 Degree of Protection IP66

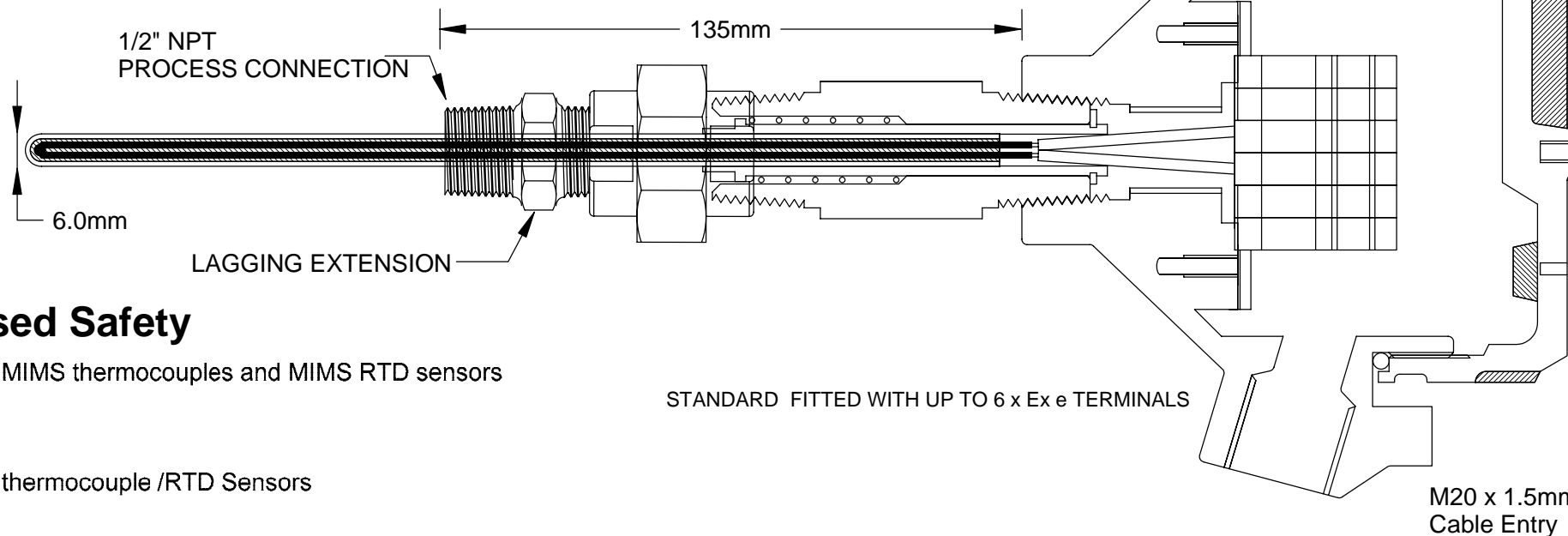
IECEX Certificate of conformance No. IECEX TSA 06.0010 for complete assembly

IECEX certified Ex d IIC T6 IP66 Zone 1, Zone 2

TEMPERATURE CONTROLS PTY LTD		
<p>CONDITIONS</p> <p>THIS DRAWING IS OUR EXCLUSIVE PROPERTY AND MUST NOT BE COPIED OR HANDED TO ANY OTHER PARTIES WITH OUT WRITTEN PERMISSION. IT SHALL BE RETURNED UPON REQUEST</p>	<p>SYDNEY : 7 YAMMA ST SEFTON , NSW 2162 PHONE : (02) 9721 8644 FAX : (02) 9738 9339 MELBOURNE : 8/280 Whitehall St YARRAVILLE VIC 3013 PHONE : (03) 9687 0000 FAX : (03) 9687 1900 EMAIL : sales@temperature.com.au</p>	
	<p>Quality System Quality Endorsed Company</p> <p>Certificate No: QEC 14412 AS/NZS 9001:2000</p>	
<p>TITLE</p> <p>IECEX FLAMEPROOF ASSEMBLY</p>		
<p>SIZE : A4</p>	<p>DATE : 03/01/07</p>	<p>DWG NO : SD 546</p>
<p>SCALE : NTS</p>	<p>DRAWING BY K.F</p>	<p>REV : 04</p>

Ex e Certified Temperature Assembly with Spring Loaded Nipple/ Union / Nipple

MODEL NO TC20SPRTA Ex e/ NUN



Ex e Increased Safety

Suitable for use with MIMS thermocouples and MIMS RTD sensors

Ex e IIC T6 IP66

Suitable for use with thermocouple /RTD Sensors

STANDARD FITTED WITH UP TO 6 x Ex e TERMINALS

M20 x 1.5mm
Cable Entry

Classification of maximum surface temperatures

TEMPERATURE CLASS	MAXIMUM SURFACE TEMPERATURE °C
T6	85
T5	100
T4	135
T3	200
T2	300
T1	450

Material: Aluminium Alloy LM-6
Degree of Protection IP66

**IECEX Certificate of conformance No. IECEX TSA 06.0010
for complete assembly**

IECEX certified Ex e IIC T6 IP66

LAGGING EXTENSION

T6 NO LAGGING EXTENSION REQUIRED

T5 TO T1 TEMPERATURES – LAGGING EXTENSION REQUIRED

FOR APPLICATIONS WHERE THE TEMPERATURE SENSOR IS TO BE USED IN T5 TO T1 TEMPERATURES A 50 MM LAGGING EXTENSION SHALL BE FITTED TO ENSURE THE ENCLOSURE REMAINS BELOW T6 TEMPERATURE RATING.

TEMPERATURE CONTROLS PTY LTD

CONDITIONS

THIS DRAWING IS OUR EXCLUSIVE PROPERTY AND MUST NOT BE COPIED OR HANDED TO ANY OTHER PARTIES WITH OUT WRITTEN PERMISSION. IT SHALL BE RETURNED UPON REQUEST

SYDNEY : 7 YAMMA ST SEFTON , NSW 2162
PHONE : (02) 9721 8644 FAX : (02) 9738 9339
MELBOURNE : 8/280 Whitehall St
YARRAVILLE VIC 3013
PHONE : (03) 9687 0000 FAX : (03) 9687 1900
EMAIL : sales@temperature.com.au



Quality
Endorsed
Company

Certificate No: QEC 14412
AS/NZS 9001:2000

TITLE

IECEX INCREASED SAFETY ASSEMBLY

SIZE : A4

DATE : 03/01/07

DWG NO : SD 554

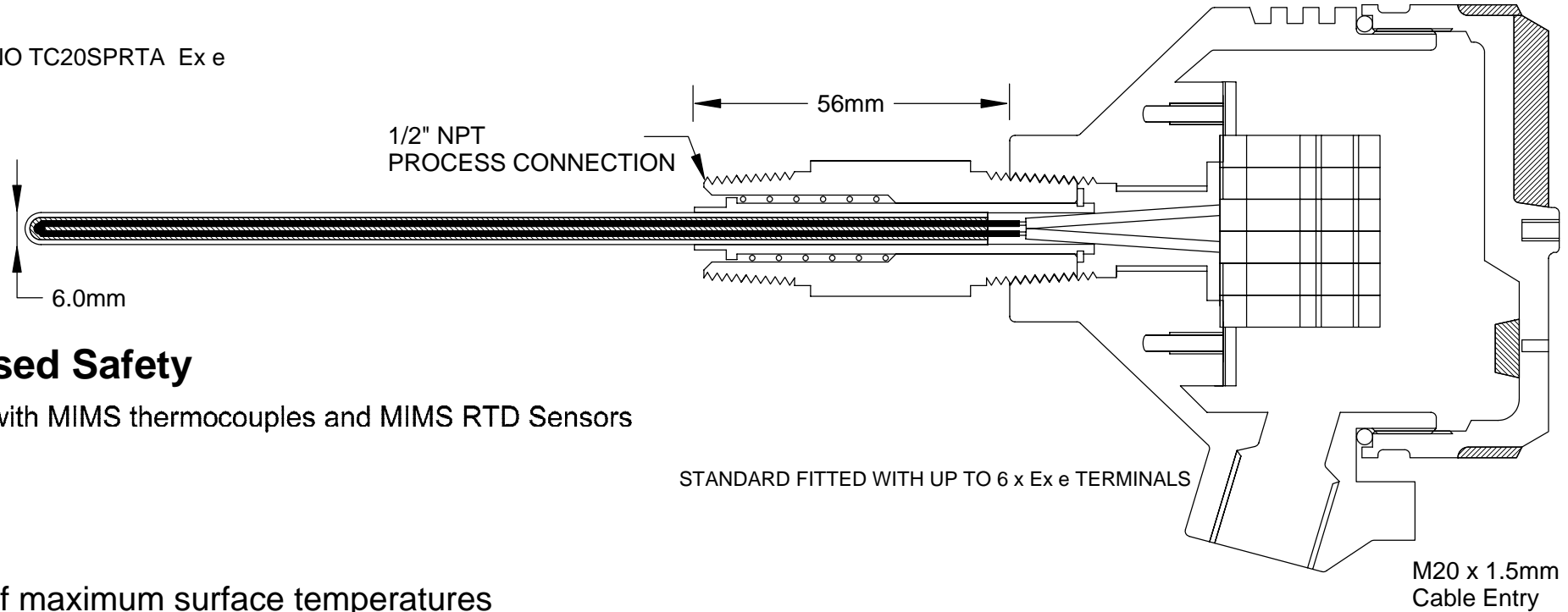
SCALE : NTS

DRAWING BY K.F

REV : 03

Ex e Certified Temperature Assembly with Spring Loaded Nipple

MODEL NO TC20SPRTA Ex e



Ex e Increased Safety

Suitable for use with MIMS thermocouples and MIMS RTD Sensors

Classification of maximum surface temperatures

TEMPERATURE CLASS	MAXIMUM SURFACE TEMPERATURE °C
T6	85
T5	100
T4	135
T3	200
T2	300
T1	450

LAGGING EXTENSION

T6 NO LAGGING EXTENSION REQUIRED

T5 TO T1 TEMPERATURES – LAGGING EXTENSION REQUIRED

FOR APPLICATIONS WHERE THE TEMPERATURE SENSOR IS TO BE USED IN T5 TO T1 TEMPERATURES A 50 MM LAGGING EXTENSION SHALL BE FITTED TO ENSURE THE ENCLOSURE REMAINS BELOW T6 TEMPERATURE RATING.

Material: Aluminium Alloy LM-6

Degree of Protection IP66

IECEX Certificate of Conformance No. IECEX TSA 06.0010 for complete assembly

IECEX certified Ex e IIC T6 IP66

TEMPERATURE CONTROLS PTY LTD

CONDITIONS

THIS DRAWING IS OUR EXCLUSIVE PROPERTY AND MUST NOT BE COPIED OR HANDED TO ANY OTHER PARTIES WITH OUT WRITTEN PERMISSION. IT SHALL BE RETURNED UPON REQUEST

SYDNEY : 7 YAMMA ST SEFTON , NSW 2162
 PHONE : (02) 9721 8644 FAX : (02) 9738 9339
 MELBOURNE : 8/280 Whitehall St
 YARRAVILLE VIC 3013
 PHONE : (03) 9687 0000 FAX : (03) 9687 1900
 EMAIL : sales@temperature.com.au

Certificate No: QEC 14412
 AS/NZS 9001:2000



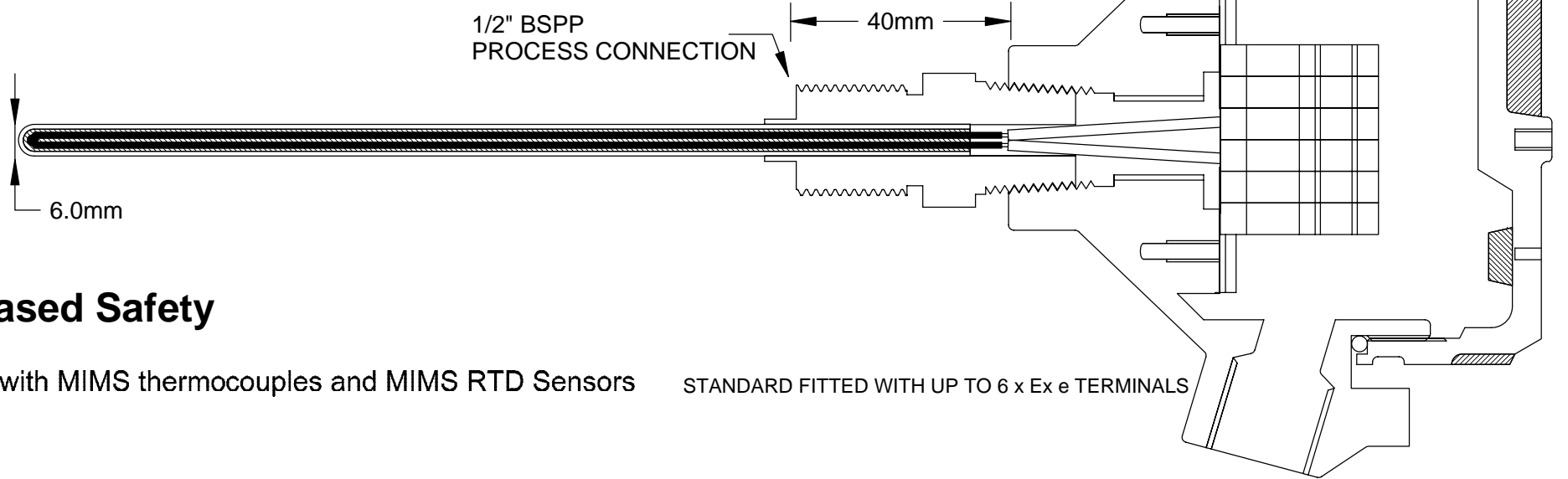
TITLE

IECEX INCREASED SAFETY ASSEMBLY

SIZE : A4	DATE : 03/01/07	DWG NO : SD 544
SCALE : NTS	DRAWING BY K.F	REV : 03

Ex e Certified Temperature Assembly with Fixed Nipple

MODEL NO TC20FIXTA / Ex e



Ex e Increased Safety

Suitable for use with MIMS thermocouples and MIMS RTD Sensors

STANDARD FITTED WITH UP TO 6 x Ex e TERMINALS

Classification of maximum surface temperatures

TEMPERATURE CLASS	MAXIMUM SURFACE TEMPERATURE °C
T6	85
T5	100
T4	135
T3	200
T2	300
T1	450

LAGGING EXTENSION

T6 NO LAGGING EXTENSION REQUIRED

T5 TO T1 TEMPERATURES – LAGGING EXTENSION REQUIRED

FOR APPLICATIONS WHERE THE TEMPERATURE SENSOR IS TO BE USED IN T5 TO T1 TEMPERATURES A 50 MM LAGGING EXTENSION SHALL BE FITTED TO ENSURE THE ENCLOSURE REMAINS BELOW T6 TEMPERATURE RATING.

Material: Aluminium Alloy LM-6
Degree of Protection IP66

M20 x 1.5mm
Cable Entry

IECEX Certificate of conformance No. IECEX TSA 06.0010 for complete assembly

IECEX certified Ex e IIC T6 IP66

TEMPERATURE CONTROLS PTY LTD

CONDITIONS

THIS DRAWING IS OUR EXCLUSIVE PROPERTY AND MUST NOT BE COPIED OR HANDED TO ANY OTHER PARTIES WITH OUT WRITTEN PERMISSION. IT SHALL BE RETURNED UPON REQUEST

SYDNEY : 7 YAMMA ST SEFTON , NSW 2162
PHONE : (02) 9721 8644 FAX : (02) 9738 9339
MELBOURNE : 8/280 Whitehall St
YARRAVILLE VIC 3013
PHONE : (03) 9687 0000 FAX : (03) 9687 1900
EMAIL : sales@temperature.com.au



Certificate No: QEC 14412
AS/NZS 9001:2000

TITLE

IECEX INCREASED SAFETY ASSEMBLY

SIZE : A4

DATE : 03/01/07

DWG NO : SD 545

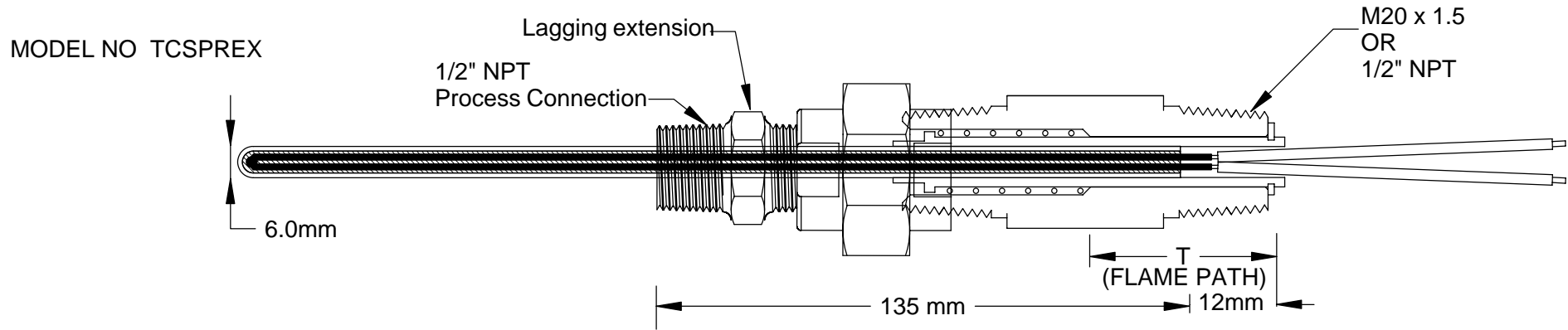
SCALE : NTS

DRAWING BY K.F

REV : 03

Ex de Dual Certified Temperature Element with Spring Loaded Nipple

SUITABLE FOR USE WITH CERTIFIED Ex d/ Ex e TERMINAL HEAD
OR TRANSMITTER HOUSING WHICH HAS 1/2" NPT OR M20 x 1.5mm PROCESS CONNECTION



Dual Certified Ex d Flameproof & Ex e Increased Safety

Suitable for use with MIMS thermocouples and MIMS RTD sensors

Ex ed IIC

T rating determined by the applications

Refer table

Classification of maximum surface temperatures

TEMPERATURE CLASS	MAXIMUM SURFACE TEMPERATURE °C
T6	85
T5	100
T4	135
T3	200
T2	300
T1	450

LAGGING EXTENSION

T6 NO LAGGING EXTENSION REQUIRED

T5 TO T1 TEMPERATURES – LAGGING EXTENSION REQUIRED

FOR APPLICATIONS WHERE THE TEMPERATURE SENSOR IS TO BE USED IN T5 TO T1 TEMPERATURES A 50 MM LAGGING EXTENSION SHALL BE FITTED TO ENSURE THE ENCLOSURE REMAINS BELOW T6 TEMPERATURE RATING.

**IECEx Certificate of conformance No. IECEx TSA 06.0008U
as a component
IECEx certified Ex d IIC Zone 1, Zone 2**

TEMPERATURE CONTROLS PTY LTD

CONDITIONS

THIS DRAWING IS OUR EXCLUSIVE PROPERTY AND MUST NOT BE COPIED OR HANDED TO ANY OTHER PARTIES WITH OUT WRITTEN PERMISSION. IT SHALL BE RETURNED UPON REQUEST

SYDNEY : 7 YAMMA ST SEFTON , NSW 2162
PHONE : (02) 9721 8644 FAX : (02) 9738 9339
MELBOURNE : 8/280 Whitehall St
YARRAVILLE VIC 3013
PHONE : (03) 9687 0000 FAX : (03) 9687 1900
EMAIL : sales@temperature.com.au

Certificate No: QEC 14412
AS/NZS 9001:2000



Quality
Endorsed
Company

TITLE

IECEx Ex d / Ex e Element

SIZE : A4

DATE : 03/01/07

DWG NO : SD 567

SCALE : NTS

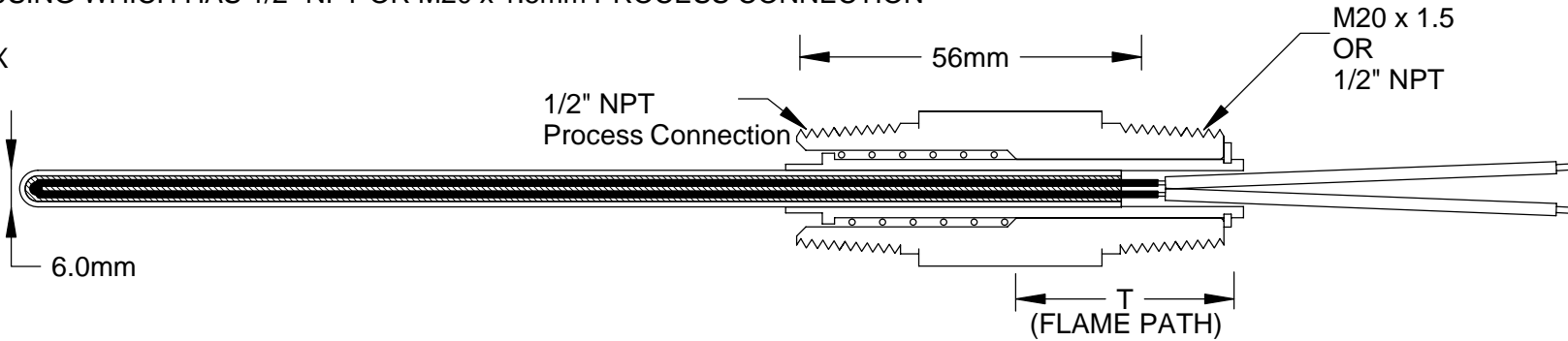
DRAWING BY K.F

REV : 00

Ex de Dual Certified Temperature Element with Spring Loaded Nipple

SUITABLE FOR USE WITH CERTIFIED Ex d/ Ex e TERMINAL HEAD
OR TRANSMITTER HOUSING WHICH HAS 1/2" NPT OR M20 x 1.5mm PROCESS CONNECTION

MODEL NO TCSPREX



Dual certified Ex d Flameproof & Ex e Increased Safety

Suitable for use with MIMS thermocouples and MIMS RTD sensors

Ex ed IIC
T rating determined by the applications
Refer table

Classification of maximum surface temperatures

TEMPERATURE CLASS	MAXIMUM SURFACE TEMPERATURE °C
T6	85
T5	100
T4	135
T3	200
T2	300
T1	450

LAGGING EXTENSION

T6 NO LAGGING EXTENSION REQUIRED

T5 TO T1 TEMPERATURES – LAGGING EXTENSION REQUIRED

FOR APPLICATIONS WHERE THE TEMPERATURE SENSOR IS TO BE USED IN T5 TO T1 TEMPERATURES A 50 MM LAGGING EXTENSION SHALL BE FITTED TO ENSURE THE ENCLOSURE REMAINS BELOW T6 TEMPERATURE RATING.

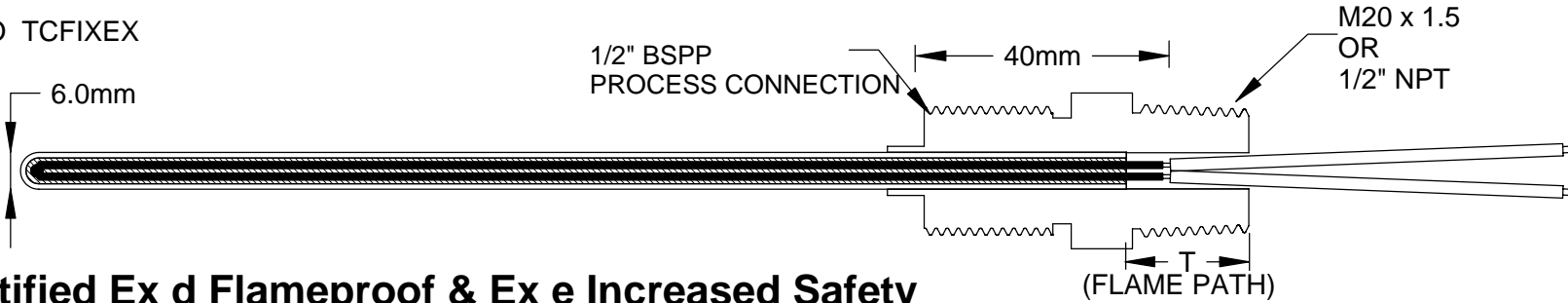
**IECEX Certificate of conformance No. IECEX TSA 06.0008U
as a component
IECEX certified Ex d IIC Zone 1, Zone 2**

TEMPERATURE CONTROLS PTY LTD		
<p>CONDITIONS THIS DRAWING IS OUR EXCLUSIVE PROPERTY AND MUST NOT BE COPIED OR HANDED TO ANY OTHER PARTIES WITH OUT WRITTEN PERMISSION. IT SHALL BE RETURNED UPON REQUEST</p>	<p>SYDNEY : 7 YAMMA ST SEFTON , NSW 2162 PHONE : (02) 9721 8644 FAX : (02) 9738 9339 MELBOURNE : 8/280 Whitehall St YARRAVILLE VIC 3013 PHONE : (03) 9687 0000 FAX : (03) 9687 1900 EMAIL : sales@temperature.com.au</p>	
	<p>Quality System Quality Endorsed Company Certificate No: QEC 14412 AS/NZS 9001:2000</p>	
<p>TITLE IECEX Ex d / Ex e Element</p>		
SIZE : A4	DATE : 03/01/07	DWG NO : SD 553
SCALE : NTS	DRAWING BY K.F	REV : 03

Ex de Dual Certified Temperature Element with Fixed Nipple

SUITABLE FOR USE WITH CERTIFIED Ex d / Ex e TERMINAL HEAD
OR TRANSMITTER HOUSING WHICH HAS 1/2" NPT OR M20 X 1.5 mm PROCESS CONNECTION

MODEL NO TCFIXEX



Dual certified Ex d Flameproof & Ex e Increased Safety

Suitable for use with MIMS thermocouples and MIMS RTD sensors

Ex ed IIC

T Rating determined by the application
refer table

Classification of maximum surface temperatures

TEMPERATURE CLASS	MAXIMUM SURFACE TEMPERATURE °C
T6	85
T5	100
T4	135
T3	200
T2	300
T1	450

LAGGING EXTENSION

T6 NO LAGGING EXTENSION REQUIRED

T5 TO T1 TEMPERATURES – LAGGING EXTENSION REQUIRED
FOR APPLICATIONS WHERE THE TEMPERATURE SENSOR IS TO BE USED IN T5 TO T1 TEMPERATURES A 50 MM LAGGING EXTENSION SHALL BE FITTED TO ENSURE THE ENCLOSURE REMAINS BELOW T6 TEMPERATURE RATING.

IECEX Certificate of conformance No. IECEX TSA 06.0008U
as a component
IECEX certified Ex d IIC Zone 1, Zone 2

TEMPERATURE CONTROLS PTY LTD		
<p>CONDITIONS</p> <p>THIS DRAWING IS OUR EXCLUSIVE PROPERTY AND MUST NOT BE COPIED OR HANDED TO ANY OTHER PARTIES WITH OUT WRITTEN PERMISSION. IT SHALL BE RETURNED UPON REQUEST</p>	<p>SYDNEY : 7 YAMMA ST SEFTON , NSW 2162 PHONE : (02) 9721 8644 FAX : (02) 9738 9339</p> <p>MELBOURNE : 8/280 Whitehall St YARRAVILLE VIC 3013 PHONE : (03) 9687 0000 FAX : (03) 9687 1900 EMAIL : sales@temperature.com.au</p>	
	<p>TITLE</p> <p>IECEX Ex d / Ex e element</p>	
SIZE : A4	DATE : 03/01/07	DWG NO : SD 552
SCALE : NTS	DRAWING BY K.F	REV : 03



Certificate No: QEC 14412
AS/NZS 9001:2000