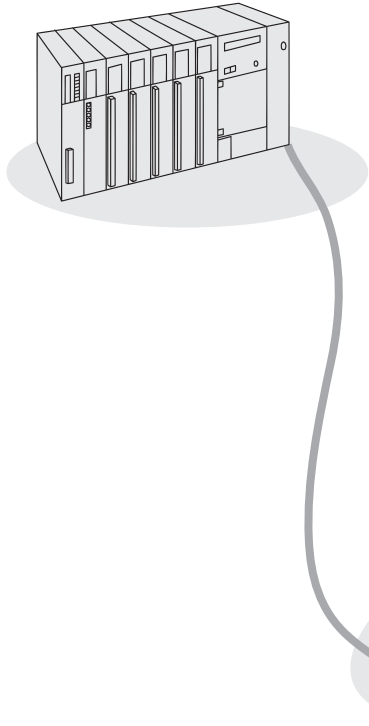


SIF-400

PLC



Indicating controllers with communication function

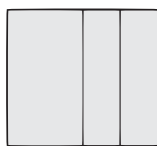


Making things easier!
No extra programming,
DIN rail mounting saves space.

System configuration of PLC interface unit SIF-400 and Shinko digital indicating controllers (DCL-33A or JCx-33A series)
(The following example shows the configuration of the DCL-33A units.)

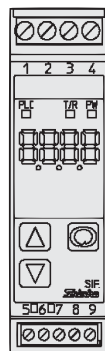
Configuration example

PLC + Link unit



RS-422A
RS-485
RS-232C

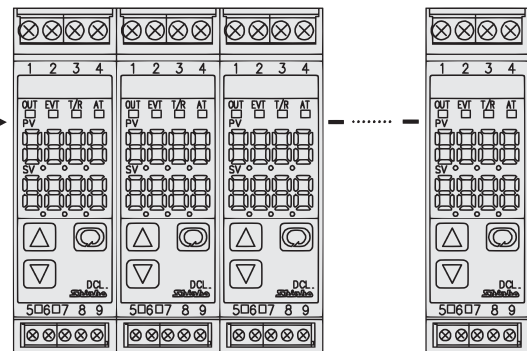
PLC interface unit
SIF-400



RS-485

DCL-33A

(Flexible address selection: Up to 32 units connectable
Fixed address: Up to 20 units connectable)



Shinko digital indicating controllers
· DCL-33A or JCx-33A

PLCs corresponding to SIF-400 and its manufacturer

- **Mitsubishi Electric Corp.**
MELSEC A (A, AnA), Q series, QnA series
MELSEC FX2N series
- **Omron Corp.**
SYSMAC C200H series
- **Fuji Electric Co., Ltd.**
MICREX-F series

For products other than listed above, consult us.

PLC Interface Unit

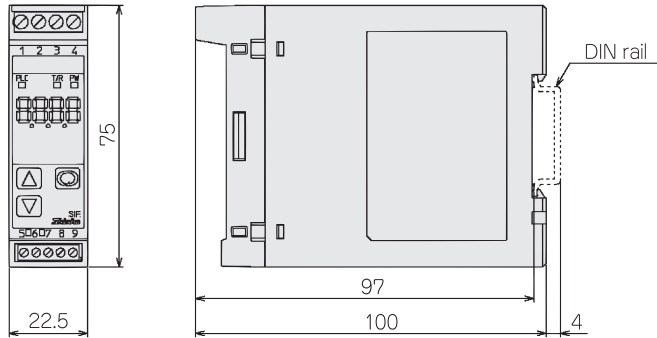
Overview

The SIF-400 is a unit for interfacing between the PLC and a maximum of 32 units of digital indicating controllers (DCL-33A or JcX-33A series). The SIF-400 stores the data of the controllers in the PLC register, and exchanges data by activating Reading/Writing flag.

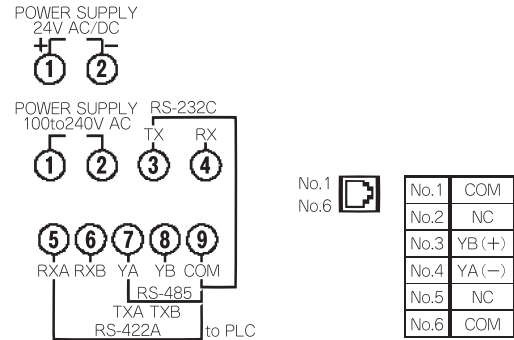
Three types of memory allocation for the PLC

1. Flexible address selection (Memory allocation per item)	<ul style="list-style-type: none"> Top address that SIF-400 uses, the number of controllers connected with the SIF-400 and communication item Used/Not used can be freely designated by software such as ladder software, loaded in the PLC. A maximum of 32 units can be connected.
2. Flexible address selection (Memory allocation per channel)	
3. Fixed address	<ul style="list-style-type: none"> The predetermined communication items are written to and read from the register area. Initial setting on the PLC side is not necessary. A maximum of 20 units can be connected.

External dimensions



Terminal arrangement



Standard specifications

Model	PLC Interface Unit									
Name	SIF-400									
Supply voltage	Must be specified. • 100 to 240V AC 50/60Hz • 24V AC/DC 50/60Hz	<table border="1"> <thead> <tr> <th>PLC manufacturer</th> <th>Model name</th> </tr> </thead> <tbody> <tr> <td>Mitsubishi Electric Corp.</td> <td> PLC model name: MELSEC A (A, AnA) Q series, QnA series MELSEC FX2N series Host link unit model name: AJ71UC24 A1SJ71UC24-R2/R4/PRF A1SJ71C24-R2/R4/PRF QJ71C24 </td> </tr> <tr> <td>Omron Corp.</td> <td> PLC model name: SYSMAC C200H series Host link unit model name: LK201-V1, LK202-V1 </td> </tr> <tr> <td>Fuji Electric Co., Ltd.</td> <td> PLC model name: MICREX-F series Host link unit model name: NC1L-RS2, NC1L-RS4 </td> </tr> </tbody> </table>	PLC manufacturer	Model name	Mitsubishi Electric Corp.	PLC model name: MELSEC A (A, AnA) Q series, QnA series MELSEC FX2N series Host link unit model name: AJ71UC24 A1SJ71UC24-R2/R4/PRF A1SJ71C24-R2/R4/PRF QJ71C24	Omron Corp.	PLC model name: SYSMAC C200H series Host link unit model name: LK201-V1, LK202-V1	Fuji Electric Co., Ltd.	PLC model name: MICREX-F series Host link unit model name: NC1L-RS2, NC1L-RS4
PLC manufacturer	Model name									
Mitsubishi Electric Corp.	PLC model name: MELSEC A (A, AnA) Q series, QnA series MELSEC FX2N series Host link unit model name: AJ71UC24 A1SJ71UC24-R2/R4/PRF A1SJ71C24-R2/R4/PRF QJ71C24									
Omron Corp.	PLC model name: SYSMAC C200H series Host link unit model name: LK201-V1, LK202-V1									
Fuji Electric Co., Ltd.	PLC model name: MICREX-F series Host link unit model name: NC1L-RS2, NC1L-RS4									
Allowable voltage fluctuation range	100 to 240V AC : 85 to 264V AC 24V AC/DC : 20 to 28V AC/DC									
Communication line	Between SIF-400 and PLC: Based on RS-232C/RS-485/RS-422A (terminal) Between SIF-400 and controllers: Based on RS-485 (modular jack)									
External dimensions	22.5 x 75 x 100mm (W x H x D)									
Mounting method	DIN rail mounting									
Display	Parameter display: Green LED 4 digits, Character size: 7.5 x 4.1mm									
Indicator	PLC communication indicator (yellow) Controller communication indicator (yellow) Power indicator (green)									
Power consumption	Approx. 5VA									
Isolation resistance	10MΩ or greater at 500V DC									
Dielectric strength	1.5kV AC for 1 minute Between power terminal and controller communication modular jack Between power terminal and PLC communication terminal									
Ambient temperature, humidity	0 to 50°C 35 to 85%RH (Non-condensing)									
Case	Flame resistant resin, Light gray									
Weight	Approx. 150g									
Functions	Communication with controllers Communicates with the digital indicating controllers selected during the Parameter setting mode. • Controller model name selection: DCL-33A, JcX-33A series Selectable by keypad (Default: DCL-33A) • Communication line Based on RS-485 • Communication method Half-duplex communication start-stop synchronous • Communication speed 19200bps, 9600bps Selectable by keypad (Default: 9600bps) • Data format Start bit : 1 (Fixed value) Data length : 7 (Fixed value) Parity : Even (Fixed value) Stop bit : 1 (Fixed value)	Communication with the PLC Communicates with the PLC selected during the Parameter setting mode. • PLC model name selection Mitsubishi MELSEC, Omron SYSMAC, Fuji MICREX-F • Communication line Based on RS-232C/RS-485/RS-422A RS-422A Built-in terminator (200Ω) between RXA and RXB • Communication method Half-duplex communication start-stop synchronous • Communication speed 19200bps, 9600bps Selectable by keypad (Default: 9600bps) • Data format Start bit : 1 Data length : 7, 8 Selectable by keypad (Default: 7) Parity : No, Even, Odd Selectable by keypad (Default: Even) Stop bit : 1, 2 Selectable by keypad (Default: 1)								

- This catalog is as of February 2004, and specifications are subject to change without notice.
- If you have any inquiries, please consult us or our agency.

SHINKO TECHNOS CO., LTD. OVERSEAS DIVISION

Reg. Office : 1-2-48, Ina, Minoo, Osaka, 562-0015, Japan
 Mail Address: P. O. Box 17, Minoo, Osaka, Japan
 Tel : 81 - 72 - 721 - 2781
 Fax : 81 - 72 - 724 - 1760
 URL : <http://www.shinko-technos.co.jp>
 E-mail : overseas@shinko-technos.co.jp