

IF-400



Modbus protocol available

Shinko protocol and Modbus protocol available.

Compact

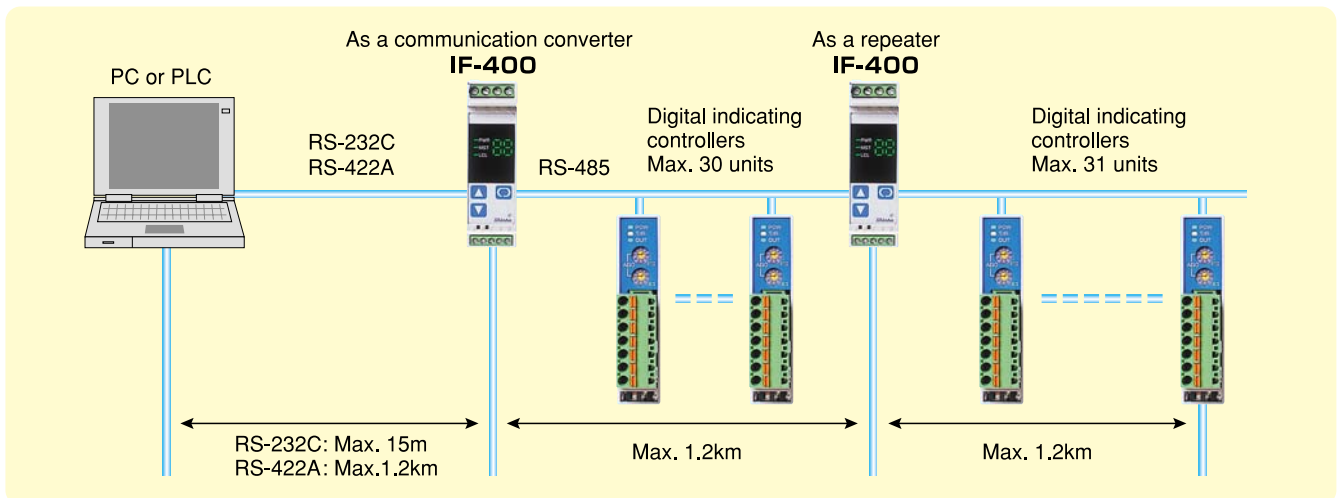
Small size of 22.5 x 75mm
DIN rail mounting

Repeater function added

When used as a repeater, 3 units of repeater and up to 95 controller units can be connected.

Converter function

Converts RS-232C or RS-422A to RS-485.

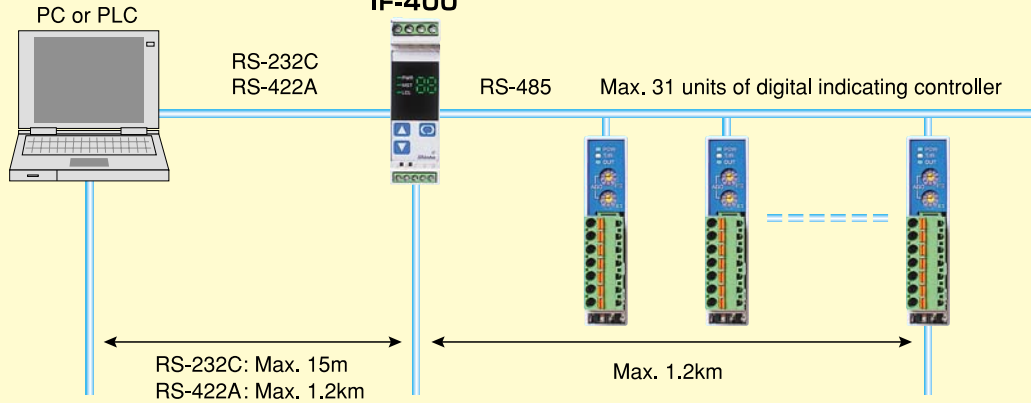


Overview

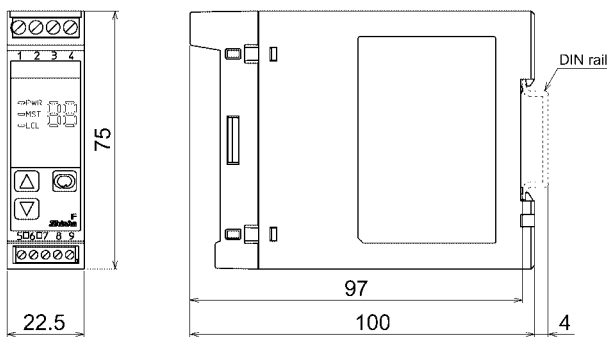
The IF-400 is a communication converter to relay communications between a host computer or PLC (RS-232C or RS-422A) and Digital indicating controllers (Serial communication function RS-485, option: C5). Shinko protocol and Modbus protocol are available.

The IF-400 can also be used as a repeater by connecting output side communication line of the IF-400 with the input side of another IF-400. The repeater will be the 31st connected unit, and up to 31 units of controller can be connected to the output side of the repeater.

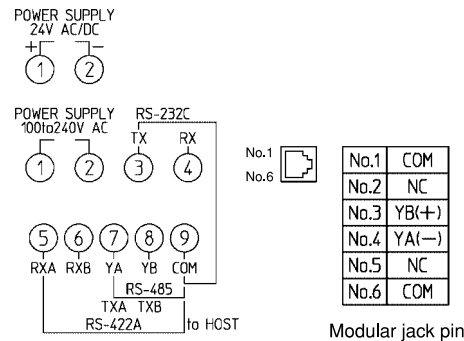
Basic configuration



External dimensions



Terminal arrangement



Standard specifications

Input	Host computer or PLC · RS-232C or RS-422A (terminals) · RS-485 (terminals in the case of repeater)
Output	Controllers · RS-485 (modular jack)
Supply voltage	100 to 240V AC 50/60Hz, 24V AC/DC 50/60Hz Allowable voltage fluctuation range: 85 to 264V AC, 20 to 28V AC/DC
Power consumption	Approx. 5VA
Insulation resistance	10MΩ or more, at 500V DC
Dielectric strength	Between Power terminal and Controller modular -----1.5kV AC for 1 minute Between Power terminal and Host computer communication terminal -----1.5kV AC for 1 minute Between Host computer communication terminal and Controller modular ----1.5kV AC for 1 minute
Environment for use	Ambient temperature: 0 to 50°C (32 to 122°F) Ambient humidity: 35 to 85%RH (Non-condensing)
Case	Material: Flame-resistant resin Color: Light gray
Mounting method	DIN rail mounting
Dimension, Weight	W22.5 x H75 x D100mm, Approx. 150g
Accessories	Instruction manual 1 copy

SAFETY PRECAUTIONS

- To ensure safe and correct use, thoroughly read and understand this manual before using this instrument.
- This instrument is intended to be used for industrial machinery, machine tools and measuring equipment. Verify correct usage after consulting purpose of use with our agency or main office (Never use this instrument for medical purposes with which human lives are involved.)
- External protection devices such as protection equipment against excessive temperature rise, etc. must be installed, as malfunction of this product could result in serious damage to the system or injury to personnel. Also proper periodic maintenance is required.
- This instrument must be used under the conditions and environment described in this manual. Shinko Technos Co., Ltd. does not accept liability for any injury, loss of life or damage occurring due to the instrument being used under conditions not otherwise stated in this manual.

Caution with respect to Export Trade Control Ordinance

To avoid this instrument from being used as a component in, or as being utilized in the manufacture of weapons of mass destruction (i.e. military applications, military equipment, etc.), please investigate the end users and the final use of this instrument. In the case of resale, ensure that this instrument is not illegally exported.

- This catalog is as of July 2005, and specifications are subject to change without notice.
- If you have any inquiries, please consult us or our agency.

SHINKO TECHNOS CO., LTD. OVERSEAS DIVISION

Reg. Office : 2-48, 1-Chome, Ina, Minoo, osaka, 562-0015, Japan
 Mail Address: P. O. Box 17, Minoo, Osaka, Japan
 Tel : 81-72-721-2781
 Fax : 81-72-724-1760
 URL : <http://www.shinko-technos.co.jp>
 E-mail : overseas@shinko-technos.co.jp