

# FINETEK

## MINI FLOAT LEVEL SWITCHES

***Corrosion resistant Plastic body.***

***Low cost magnetic reed level switch***

***Maximum switching Voltage 240 V AC : 200 V DC***

***Maximum switching capacity 50W / SPST***



### ***Model TCFCH21PDD***

Side Mount  
Operating temperature -20 to 80 Deg C  
Specific gravity 0.75  
M16 Mounting Thread c/w locknut  
300 mm lead Wire  
Material = Polypropylene \$25.00 ea



### ***Model TCFCH23FDD***

Side Mount  
Operating temperature -20 to 120 Deg C  
Specific gravity 0.85  
M16 Mounting Thread c/w locknut  
300 mm lead Wire  
Material = PVDF \$35.00 ea



### ***Model TCFCV41PDD***

Top Mount  
Operating temperature -20 to 80 Deg C  
Specific gravity 0.8  
M16 Mounting Thread c/w locknut  
300 mm lead Wire  
Material = Polypropylene \$28.00 ea



### ***Model TCFCV21QDD***

Top Mount  
Operating temperature -20 to 80 Deg C  
Specific gravity 0.8  
Mounting 1/8" BSP Thread c/w Locknut  
300 mm lead Wire  
Material = Polypropylene \$28.00 ea

***Email for additional information and pricing.***

# Temperature Controls Pty Ltd

Sydney: 7 Yamma St Sefton NSW 2162 Ph: (02) 9721 8644 Fx (02) 9738 9339

Melbourne: 8/280 Whitehall St Yarraville VIC 3013 Ph: (03) 9687 0000 Fx: (03) 9687 1900

Web : [www.temperature.com.au](http://www.temperature.com.au) Email: [sales@temperature.com.au](mailto:sales@temperature.com.au)



# PLASTIC INDUSTRY

## TEMPCO PLASTIC INDUSTRY THERMOCOUPLES

**YM3 Plastic Industry**  
C/w BF4 1/8" BSP adaptor

SD 006



### Single Pin 1/8" BSP Adaptors



TC08BF4	29mm	\$8.00
TC08BF6	50mm	\$15.00
TC08BF8	75mm	\$17.50

### Barrell Melt Assembly

SD 057



Part No.	Calibration	Diameter	Length mm	Price Each
TC09K0075	K	3.0	75	\$146.00
TC09K0150	K	3.0	150	\$164.00
TC09J0075	J	3.0	75	\$146.00
TC09J0150	J	3.0	150	\$164.00

Part No.	Calibration	Diameter	Length mm	Price Each
TC08K1000	K	4.5	1000	\$41.50
TC08K1500	K	4.5	1500	\$45.50
TC08K2000	K	4.5	2000	\$50.00
TC08K3000	K	4.5	3000	\$58.50
TC08K4000	K	4.5	4000	\$67.00
TC08K6000	K	4.5	6000	\$84.00
TC08J1000	J	4.5	1000	\$41.50
TC08J1500	J	4.5	1500	\$45.50
TC08J2000	J	4.5	2000	\$50.00
TC08J3000	J	4.5	3000	\$58.50
TC08J4000	J	4.5	4000	\$67.00
TC08J6000	J	4.5	6000	\$84.00



## TEMPERATURE CONTROLLERS

Model JCS-33A 48 x 48mm controller  
Fully Featured - Low Cost  
IP66 Front Panel  
4 Digit Display 100-240VAC  
PID Control Action  
Multi Input K, J, R, S, B, E, T, N, RTD  
4-20mA  
Outputs: Solid State, Relay, 4-20mA  
Alarm output Standard



SD 1114

Model DCL-33A Din Rail Mount  
Temperature Controller, Transmitter or  
Alarm Unit  
4 Digit Display 100-240VAC  
PID Control Action  
Multi Input K, J, R, S, B, E, T, N, RTD  
4-20mA  
Outputs: Solid State, Relay, 4-20mA  
Alarm output Standard



SD 1105

Model	Output	Input	*Option	*Option	Price
JCS33A-RM	RELAY	MULTI	AL2	24V DC	\$199.00
JCS33A-SM	SOLID STATE RELAY	MULTI	AL2	24V DC	\$199.00
JCS33A-AM	4-20mA	MULTI	AL2	24V DC	\$199.00
JCS33A-AA	4-20mA	4-20mA	AL2	24V DC	\$211.00
JCS33A-AAT	4-20mA TRANSMITTER	MULTI	AL2	24V DC	\$199.00

Model	Output	Input	*Option	*Option	Price
DCL33A-RM	RELAY	MULTI	AL2	24V DC	\$204.00
DCL33A-SM	SOLID STATE RELAY	MULTI	AL2	24V DC	\$204.00
DCL33A-AM	4-20mA	MULTI	AL2	24V DC	\$204.00
DCL33A-AA	4-20mA	4-20mA	AL2	24V DC	\$217.00
DCL33A-AAT	4-20mA TRANSMITTER	MULTI	AL2	24V DC	\$204.00

## TEMPCO SOLID STATE RELAYS

Solid state relays with 10,25 and 40  
amp output ratings.  
Standard features include LED display  
when on.  
Suitable heatsinks optional.



Zero crossing turn on, zero current off.  
250VAC & 480VAC switching capacity

### DC Input Control

Part No.	Input	Output	Price Ea
TCSSRD2510	DC 3-32V	AC250V10AMP	\$28.00
TCSSRD2525	DC 3-32V	AC250V25AMP	\$38.00
TCSSRD2540	DC 3-32V	AC250V40AMP	\$47.00
TCSSRD4825	DC 3-32V	AC480V25AMP	\$69.00
TCSSRD4840	DC 3-32V	AC480V40AMP	\$78.00

*Email for additional information and pricing.*

# Temperature Controls Pty Ltd

Sydney: 7 Yamma St Sefton NSW 2162 Ph: (02) 9721 8644 Fx (02) 9738 9339

Melbourne: 8/280 Whitehall St Yarraville VIC 3013 Ph: (03) 9687 0000 Fx: (03) 9687 1900

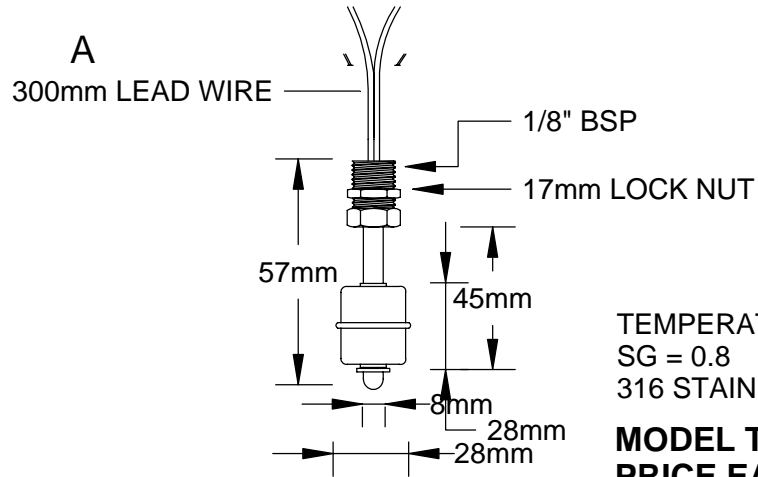
Web : [www.temperature.com.au](http://www.temperature.com.au) Email: [sales@temperature.com.au](mailto:sales@temperature.com.au)

EP 1225

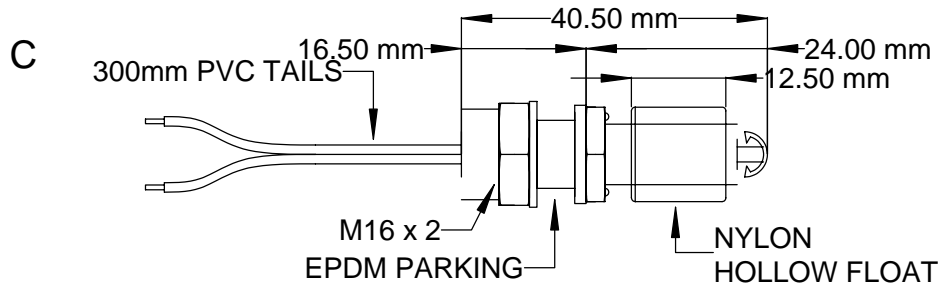
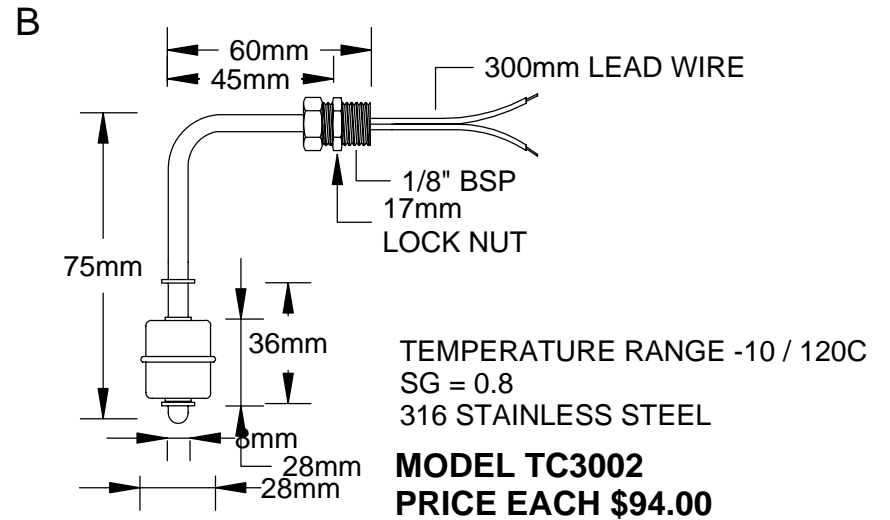
Due to ongoing product development, specification and price may change without notice. Prices do not include GST



Quality  
Endorsed  
Company

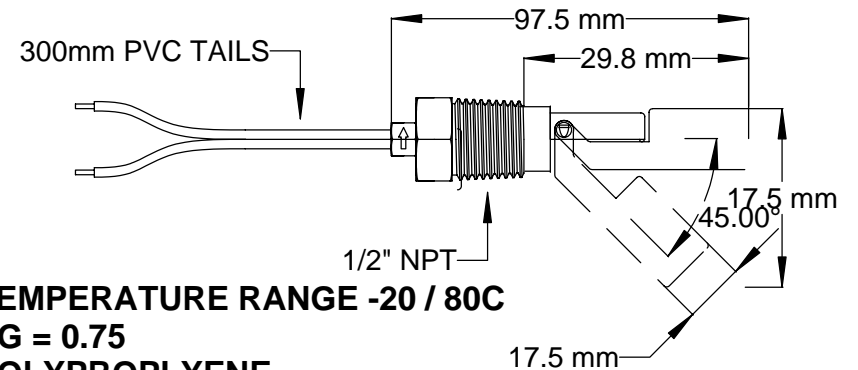


TEMPERATURE RANGE -10 / 120C  
 SG = 0.8  
 316 STAINLESS STEEL  
**MODEL TC3001**  
**PRICE EACH \$68.00**



TEMPERATURE RANGE -20 / 80C  
 SG 0.8

**MODEL TCRF0V41DD**  
**NEW MODEL TCFCV41PDD**  
**PRICE EACH \$28.00**



TEMPERATURE RANGE -20 / 80C  
 SG = 0.75  
 POLYPROPYLENE  
**MODEL TCFCH31PDD**  
**NEW MODEL TCRF0H31DD**  
**PRICE EACH \$28.00**

# LEVEL SWITCHES

**TEMPERATURE CONTROLS PTY LTD** Certificate No: QEC 14412  
 AS/NZS 9001:2000

**CONDITIONS**

THIS DRAWING IS OUR EXCLUSIVE PROPERTY AND MUST NOT BE COPIED OR HANDED TO ANY OTHER PARTIES WITH OUT WRITTEN PERMISSION. IT SHALL BE RETURNED UPON REQUEST

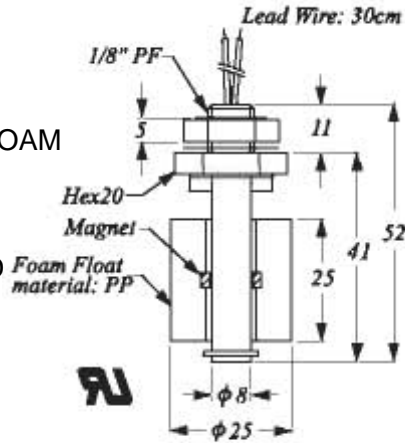
SYDNEY : 7 YAMMA ST SEFTON , NSW 2162  
 PHONE : (02) 9721 8644 FAX : (02) 9738 9339  
 MELBOURNE : 412 MORELAND ROAD  
 BRUNSWICK WEST VIC 3055  
 PHONE : (03) 9384 0444 FAX : (03) 9384 0204  
 EMAIL : sales@temperature.com.au



TITLE  
**LITERATURE NO. 1163/A**

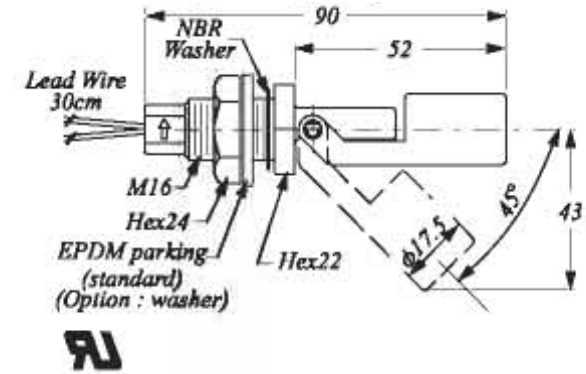
SIZE : A4	DATE : 6/2/06	
SCALE : NTS	DRAWING BY M.E	REV : 00

POLYPROPYLENE / FOAM  
 TEMPERATURE  
 RANGE: -20 / 80C  
 SG 0.8  
 MODEL TCFCV21QDD  
 PRICE EACH \$28.00



Drill hole φ10mm

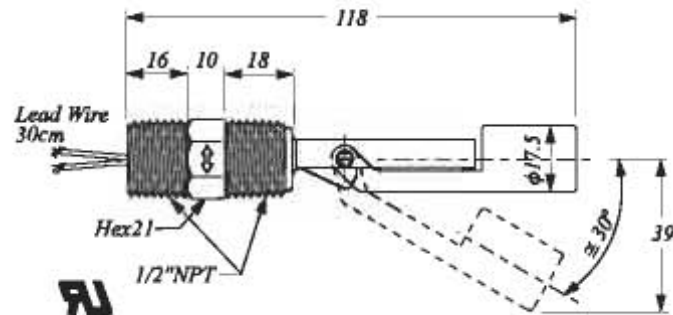
PVDF / WHITE  
 TEMPERATURE  
 RANGE -20 to 120C  
 SG = 0.85  
 MODEL TCFCH23FDD  
 PRICE EACH \$35.00



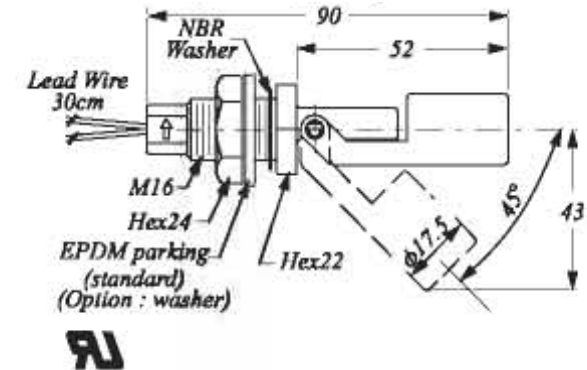
## FINETEK LEVEL SWITCHES

POLYPROPYLENE / BLACK  
 TEMPERATURE  
 RANGE -20 to 80C  
 SG = 0.65  
 MODEL TCFCH51PDD  
 PRICE €

■ FC H51P



POLYPROPYLENE / BL/  
 TEMPERATURE  
 RANGE -20 to 80C  
 SG = 0.75  
 MODEL TCFCH21PDD  
 PRICE EACH \$25.00



### TEMPERATURE CONTROLS PTY LTD

Certificate No: QEC 14412  
 AS/NZS 9001:2000

#### CONDITIONS

THIS DRAWING IS OUR EXCLUSIVE PROPERTY AND MUST NOT BE COPIED OR HANDED TO ANY OTHER PARTIES WITH OUT WRITTEN PERMISSION. IT SHALL BE RETURNED UPON REQUEST

SYDNEY : 7 YAMMA ST SEFTON , NSW 2162  
 PHONE : (02) 9721 8644 FAX : (02) 9738 9339  
 MELBOURNE : 8/280 Whitehall St  
 Yarraville VIC 3013  
 PHONE : (03) 9687 0000 FAX : (03) 9687 1900  
 EMAIL : sales@temperature.com.au



TITLE

**LITERATURE NO. 1163/B**

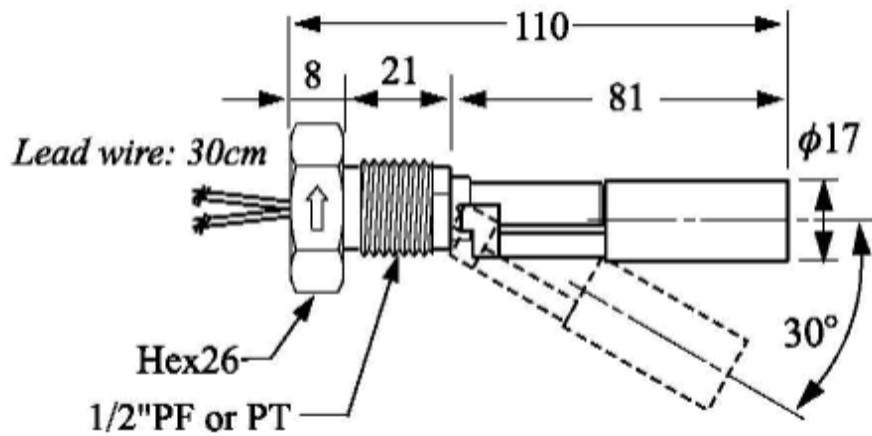
SIZE : A4

DATE : 6/02/06

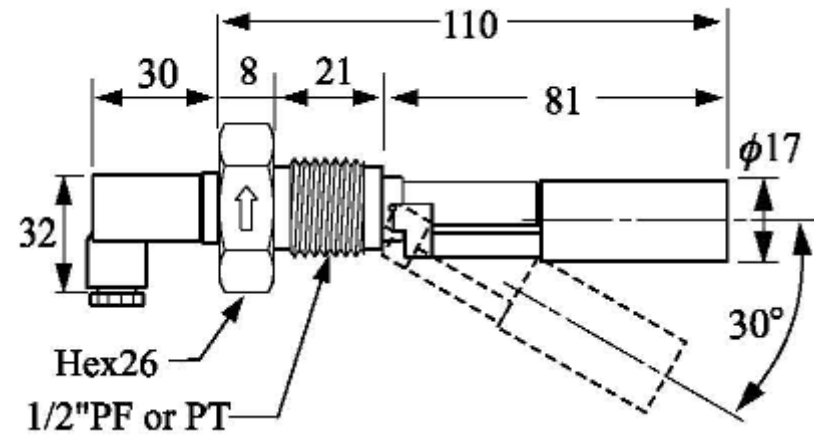
SCALE : NTS

DRAWING BY M.E

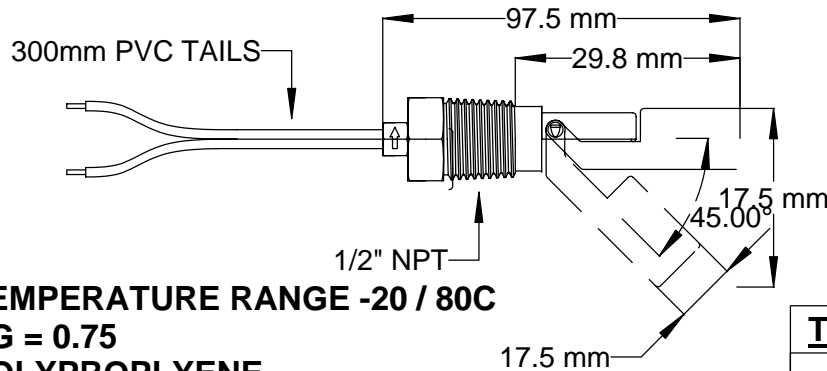
REV : 00



TEMPERATURE RANGE -10 / 120C  
 SG = 0.8  
 304SS  
 MODEL TCFDMH16  
 PRICE EACH \$142.00



TEMPERATURE RANGE -10 / 120C  
 SG = 0.8  
 304SS  
 MODEL TCFDMH16C  
 PRICE EACH \$152.00



TEMPERATURE RANGE -20 / 80C  
 SG = 0.75  
 POLYPROPYLENE  
 MODEL TCFCH31PDD  
 NEW MODEL TCRF0H31DD  
 PRICE EACH \$28.00

# LEVEL SWITCHES

## TEMPERATURE CONTROLS PTY LTD

Certificate No: QEC 14412  
 AS/NZS 9001:2000

### CONDITIONS

THIS DRAWING IS OUR EXCLUSIVE PROPERTY AND MUST NOT BE COPIED OR HANDED TO ANY OTHER PARTIES WITH OUT WRITTEN PERMISSION. IT SHALL BE RETURNED UPON REQUEST

SYDNEY : 7 YAMMA ST SEFTON , NSW 2162  
 PHONE : (02) 9721 8644 FAX : (02) 9738 9339  
 MELBOURNE : 412 MORELAND ROAD  
 BRUNSWICK WEST VIC 3055  
 PHONE : (03) 9384 0444 FAX : (03) 9384 0204  
 EMAIL : sales@temperature.com.au



TITLE

**LITERATURE NO. 1163/C**

SIZE : A4	DATE : 6/02/06	
SCALE : NTS	DRAWING BY M.E	REV : 00