

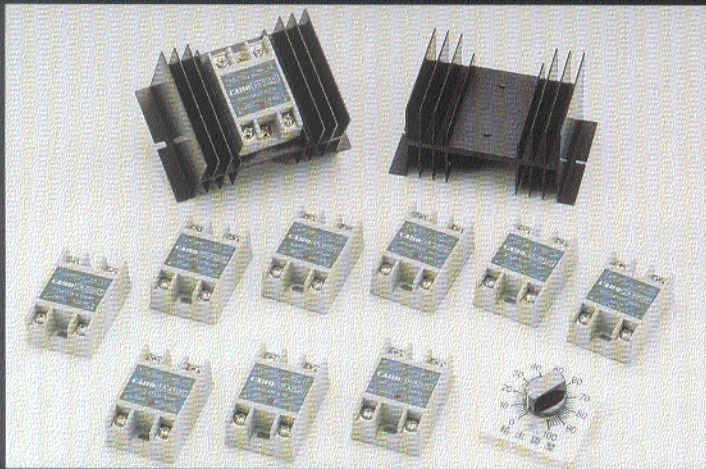
TEMPERATURE CONTROLS

ACN 075 298 592 EMAIL: tempcont@hotkey.net.au

SYDNEY: 55 Henry Street Leichhardt NSW 2040 Phone: (02) 9560 0644 Fax: (02) 9560 0339
MELBOURNE: 412 Moreland Road Brunswick West VIC 3055 Phone: (03) 9384 0444 Fax: (03) 9384 0204

THERMOCOUPLES • RTD SENSORS • THERMOWELLS • EXTENSION CABLES

Solid State Relay



- Load current ranges from 10 to 40 Amps
- Able to be driven by IC such as TTL, DTL & CMOS.
- Internally mounted snubber circuit protection for huge current (dv/dt) application.
- Zero Crossing turn-on, zero current turn-off.
- With LED display to detect the operating of devices.
- High reliability.

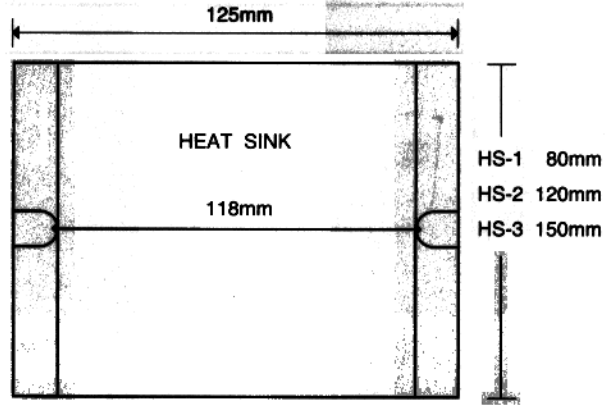
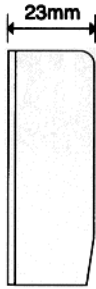
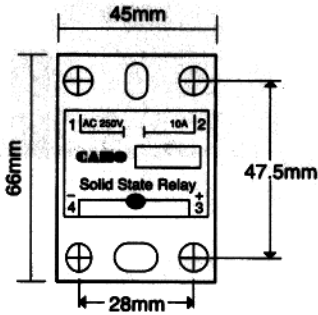
SPECIFICATIONS

(Ta=25°C)

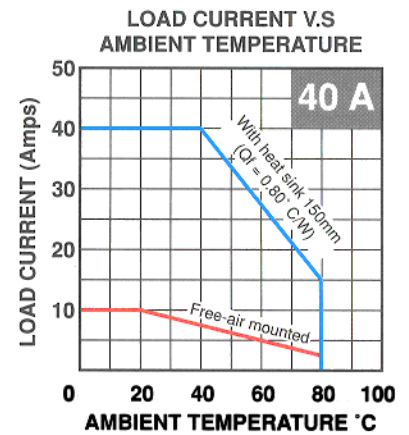
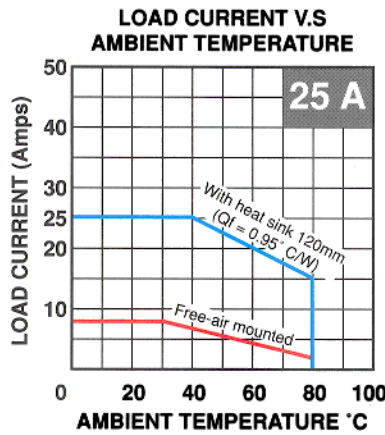
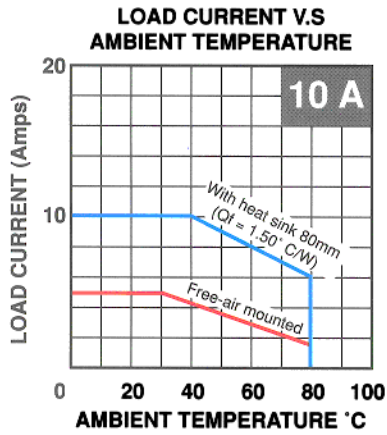
Data \ Model	SR-D25 <input type="checkbox"/> <input type="checkbox"/>	SR-D48 <input type="checkbox"/> <input type="checkbox"/>	SR-A25 <input type="checkbox"/> <input type="checkbox"/>	SR-A48 <input type="checkbox"/> <input type="checkbox"/>	SR-R25 <input type="checkbox"/> <input type="checkbox"/>	
TYPE	(DC-AC)			(AC-AC)		(VR-AC)
Input Signal Voltage	3-32V DC			90-480V AC		VR B200KΩ
Output Load Voltage Range	90-480V AC			90-480V AC		110V 220V
Load Current	10A	25A	40A	10A	25A	40A
Max. 1-Cycle Surge Current	125A	260A	315A	125A	260A	315A
Max. On-State Voltage Drop	1.6V AC					
Response Time	1/2 cycle + 1msec.			3/2 cycle + 1 msec.		
Dielectric Strength	10 ⁸ ohms			10 ⁸ ohms		
Isolation between Input/Output	2500V(RMS)			2500V (RMS)		
Isolation Input/Output to Case	2500V(RMS)			2500V (RMS)		
Capacitance	15 pf(Max.)			15 pf(Max.)		
Operating Temperature	-20°C~80°C			-20°C~80°C		
Storage Temperature	-40°C~80°C			-40°C~80°C		
Weight (approx.)	70g			70g		70g

Solid State Relay

DIMENSION



CHARACTERISTIC CURVES



ORDERING INFORMATION

TC SSR

Solid State Relay	DC-AC	D		
	AC-AC	A		
	VR-AC	R		
Line Voltage	250V AC		25	
	480V AC		48	
Load Current	10A			10
	25A			25
	40A			40
Heat Sink	None fitted			N
	Fitted with Heat Sink 120x60x80mm			1
	Fitted with Heat Sink 120x60x120mm			2
	Fitted with Heat Sink 120x60x150mm			3

