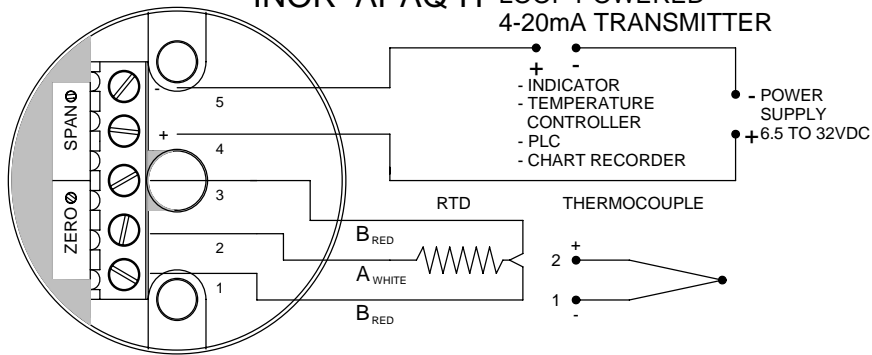
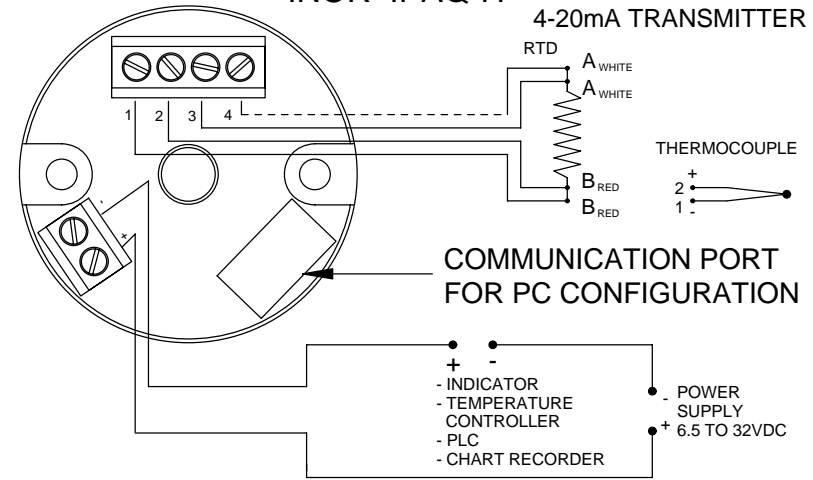


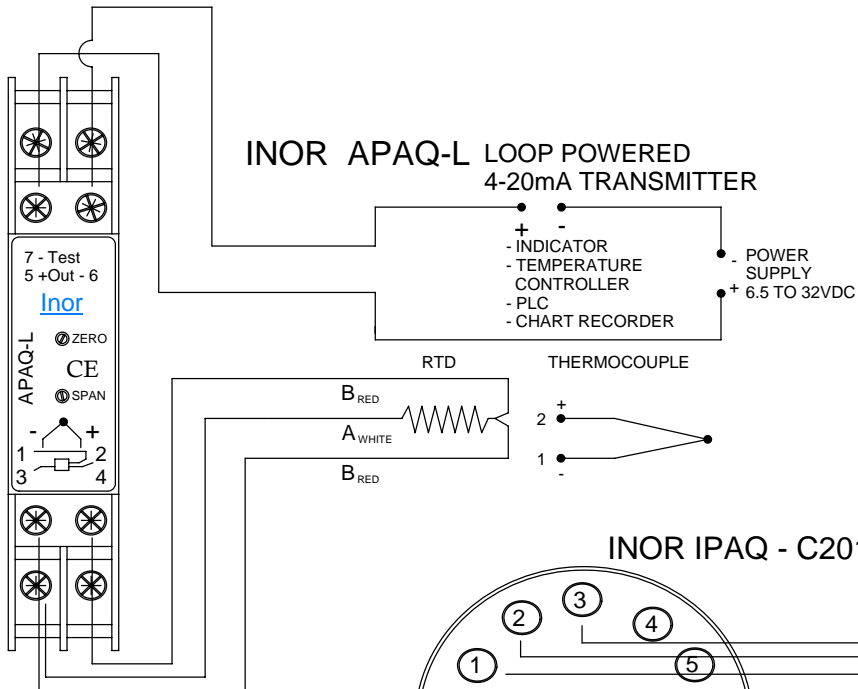
**INOR APAQ-H LOOP POWERED
4-20mA TRANSMITTER**



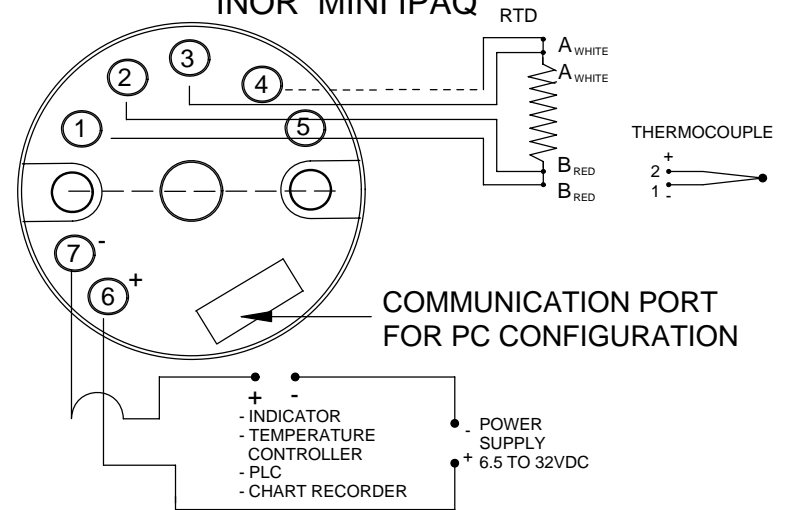
**INOR IPAQ-H LOOP POWERED
4-20mA TRANSMITTER**



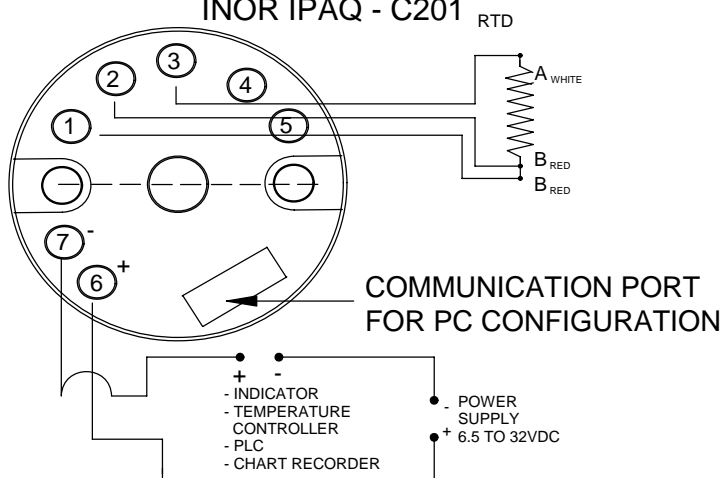
**INOR APAQ-L LOOP POWERED
4-20mA TRANSMITTER**



INOR MINI IPAQ



INOR IPAQ - C201



TEMPERATURE CONTROLS PTY LTD

Certificate No: QEC 14412
AS/NZS 9001:2000

CONDITIONS

THIS DRAWING IS OUR EXCLUSIVE PROPERTY AND MUST NOT BE COPIED OR HANDED TO ANY OTHER PARTIES WITH OUT WRITTEN PERMISSION. IT SHALL BE RETURNED UPON REQUEST

SYDNEY : 7 YAMMA ST SEFTON , NSW 2162
PHONE : (02) 9721 8644 FAX : (02) 9738 9339
MELBOURNE : 8/280 WHITEHALL STREET
YARRAVILLE VIC 3013
PHONE : (03) 9687 0000 FAX : (03) 96871900
EMAIL : sales@temperature.com.au



TITLE
**INOR TRANSMITTER
WIRING DIAGRAM**

SIZE : A4	DATE: 25/08/07	Literature : 1119
SCALE : NTS	DRAWING BY: S.B	REV : 03