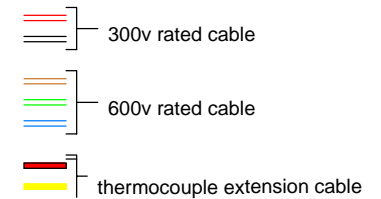
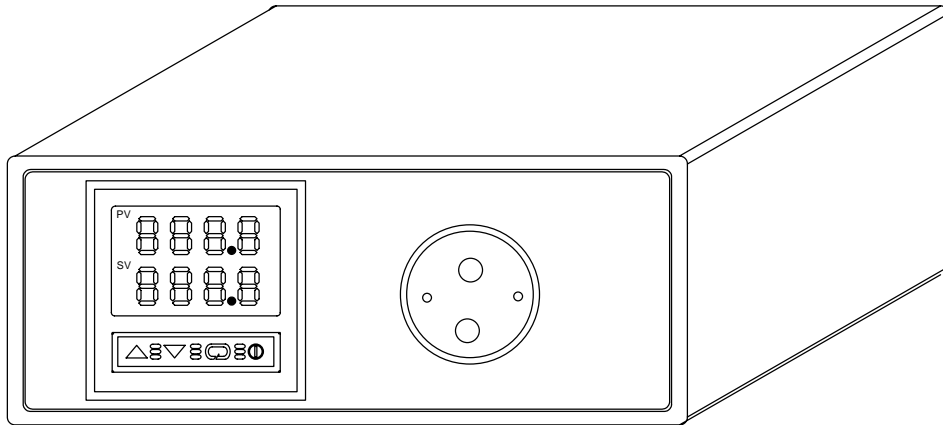


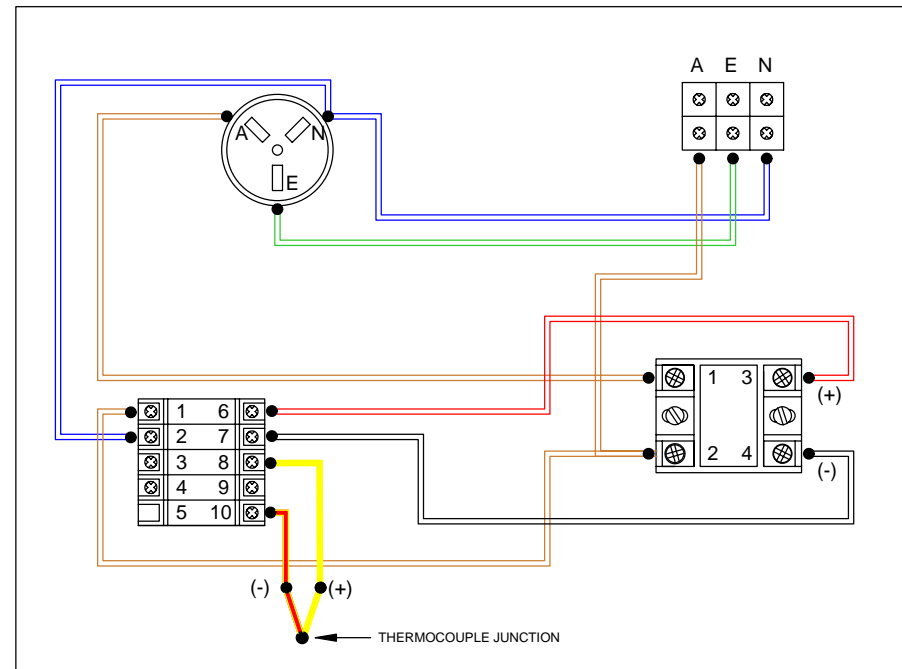
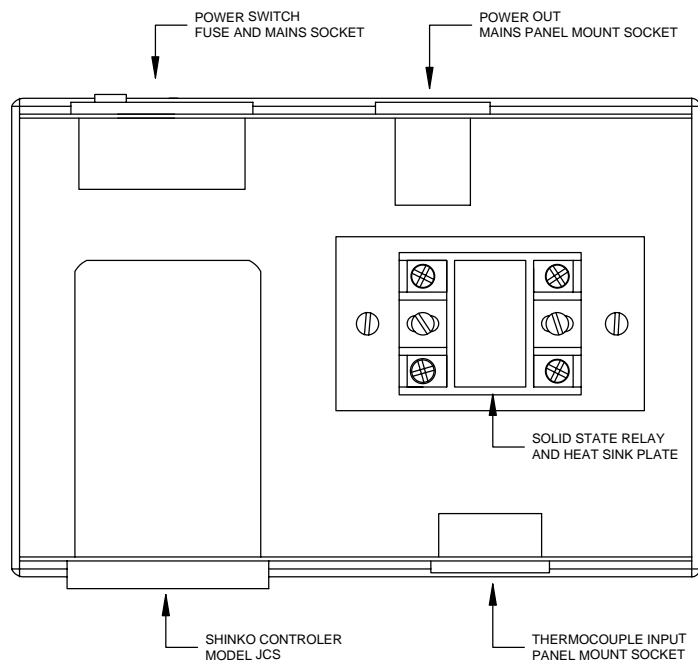
SHINKO JCS 33A SM CONTROLLER 110 TO 240V MULTI INPUT TYPE K, J, T, N, R, S & B



BOX COMPONENTS

- PVC DESK TOP BOX (HB-5912) 200mm x 160 x 65mm
- SOLID STATE RELAY WITH HEAT SINK - 25AMP
- THERMOCOUPLE INPUT K, J, T, N, R, S & B
- OPTION - RTD INPUT
- FUSED POWER SWITCH (PP-4003)
- MAINS POWER LEAD(PS-4106)
- MAINS POWER PANEL MOUNT SOCKET (PS-4090)
- RUBBER FEET (HP-0801)

NOTE- MAXIMUM LOAD CAPACITY 10AMP



CONDITIONS

THIS DRAWING IS OUR EXCLUSIVE PROPERTY AND MUST NOT BE COPIED OR HANDED TO ANY OTHER PARTIES WITH OUT WRITTEN PERMISSION. IT SHALL BE RETURNED UPON REQUEST

SYDNEY : 7 YAMMA ST SEFTON , NSW 2162
PHONE : (02) 9721 8644 FAX : (02) 9738 9339
MELBOURNE : 412 MORELAND ROAD
BRUNSWICK WEST VIC 3055
PHONE : (03) 9384 0444 FAX : (03) 9384 0204
EMAIL : sales@temperature.com.au

TEMPERATURE CONTROLS PTY LTD

TITLE PART No. TCCOBXU

SIZE : A4	DATE :26/06/02	DWG NO : SD 1103
SCALE : NTS	DRAWING BY R.M	REV : 00