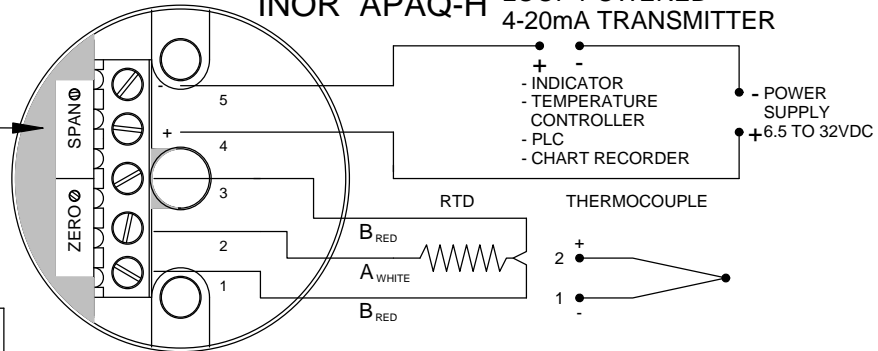
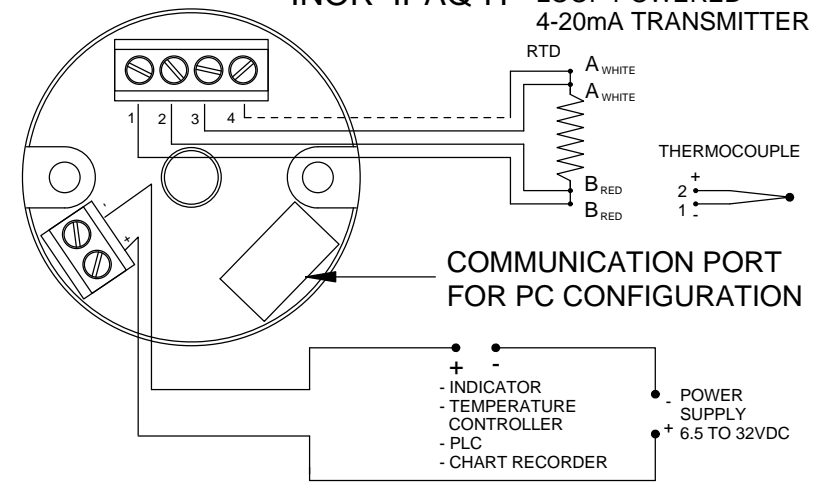


NOTE: To fine tune only
Adjust SPAN only
Do not adjust zero without calibration equipment

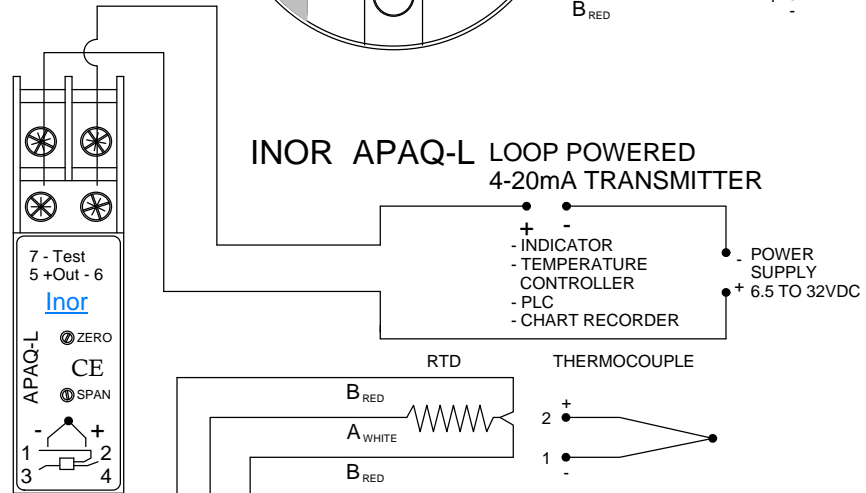
INOR APAQ-H LOOP POWERED 4-20mA TRANSMITTER



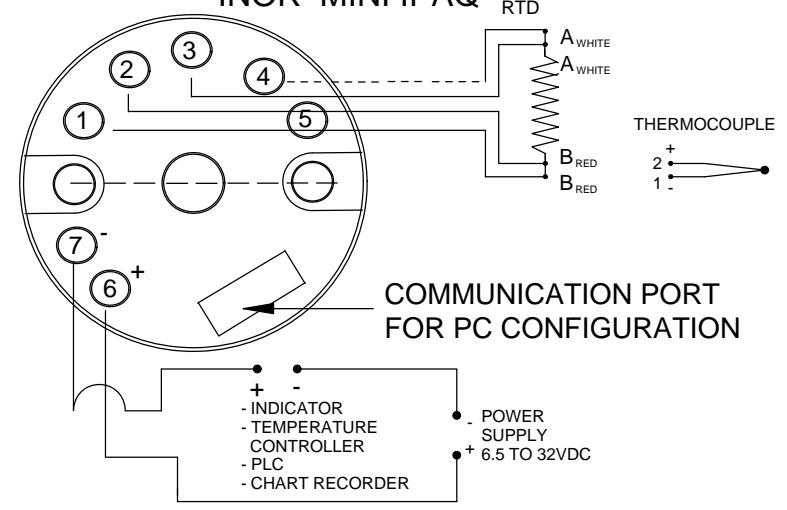
INOR IPAQ-H LOOP POWERED 4-20mA TRANSMITTER



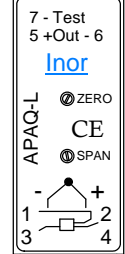
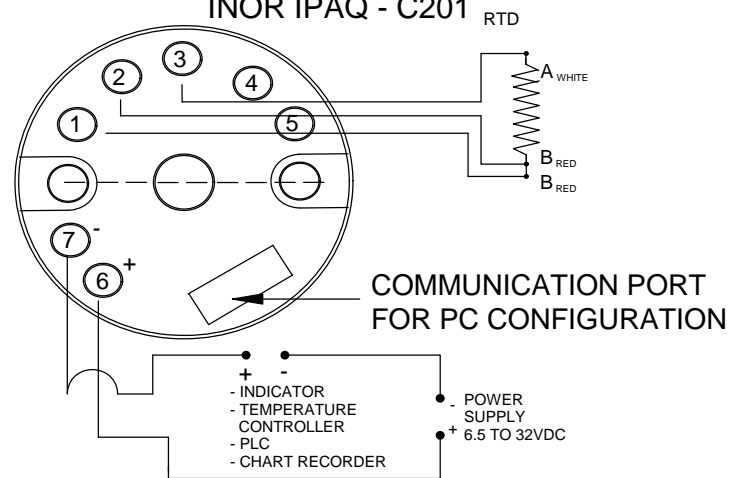
INOR APAQ-L LOOP POWERED 4-20mA TRANSMITTER



INOR MINI IPAQ



INOR IPAQ - C201



TEMPERATURE CONTROLS PTY LTD Certificate No: QEC 14412 AS/NZS 9001:2000

CONDITIONS
THIS DRAWING IS OUR EXCLUSIVE PROPERTY AND MUST NOT BE COPIED OR HANDED TO ANY OTHER PARTIES WITH OUT WRITTEN PERMISSION. IT SHALL BE RETURNED UPON REQUEST

SYDNEY : 7 YAMMA ST SEFTON , NSW 2162
PHONE : (02) 9721 8644 FAX : (02) 9738 9339
MELBOURNE : 8/280 WHITEHALL STREET
YARRAVILLE VIC 3013
PHONE : (03) 9687 0000 FAX : (03) 96871900
EMAIL : sales@temperature.com.au



TITLE		INOR TRANSMITTER WIRING DIAGRAM	1119
SIZE : A4	DATE: 22/02/10	DWG NO : SD 276	
SCALE : NTS	DRAWING BY: R.B	REV : 02	